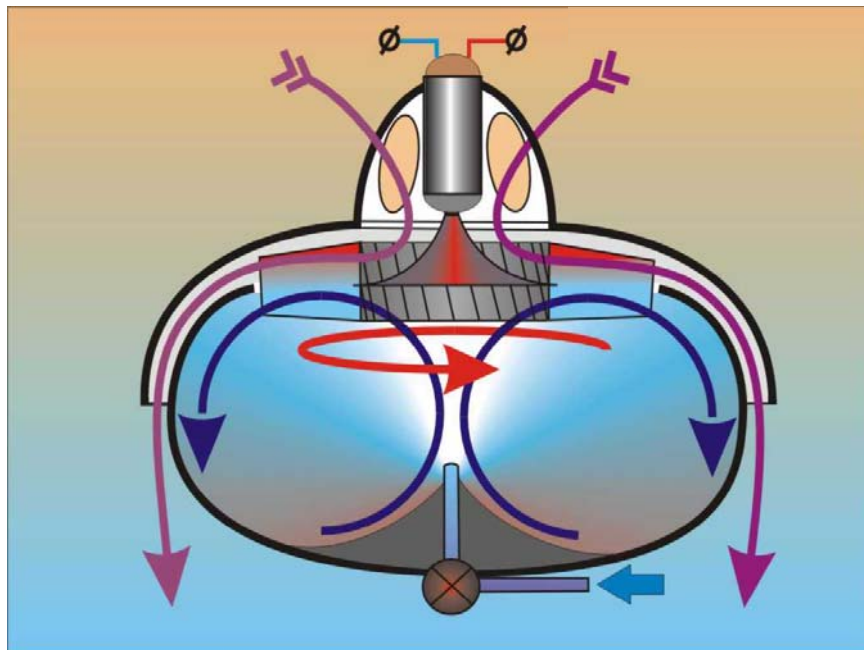


CONSTANT ENERGY OUTPUT Pty Ltd



“Peace And Spirit Creating Alternate Solutions”

PASCAS FOUNDATION (Aust) Ltd
ABN 23 133 271 593

Em: info@pascasworldcare.com
Em: info@pascashealth.com

Pascas Foundation is a not for profit organisation
Queensland, Australia

www.pascasworldcare.com www.pascashealth.com

CONSTANT ENERGY OUTPUT & PASCAS INTRODUCTION:

Documents assembled by Pascas are provided for your individual assessment and exploration. The contents are sourced from a variety of avenues and publications. Every endeavour is made to determine that the contents are of the highest level of truth and veracity. At all times we ask that you go within yourself, to ascertain for yourself, how the contents resonate with you.

Pascas provides these notes and observations to assist us all in the development and growth of our own pathways, consciousness and quality of life. Pascas does not hold these contents as dogma. Pascas is about looking within oneself. Much of what we are observing is new to us readers and thus, we consider that you will take on board that which resonates with you, investigate further those items of interest, and discard that which does not feel appropriate to you.

Kinesiological muscle testing, as developed by Dr David R Hawkins and quantified by his Map of Consciousness (MOC) table, has been used to ascertain the possible level of truth of documents. Such tested calibration levels appear within the document. We ask that you consider testing same for yourself. The technique and process is outlined within Pascas documents, such as Pascas Health – Energy Level of Food. From each person's perspective, results may vary somewhat. The calibration is offered as a guide only and just another tool to assist in considering the possibilities. As a contrast, consider using this technique to test the level of truth of your local daily newspaper.

Pascas, nor anyone associated with this document, does not assume any responsibility whatsoever for the results of any application or use of any technology, process, technique, compound or potion as described within this document.

The sources of contents are noted throughout the document. In doing so, we acknowledge the importance of these sources and encourage our readers to consider further these sources. Should we have infringed upon a copyright pertaining to content, graphics and or pictures, we apologise. In such cases, we will endeavour to make the appropriate notations within the documents that we have assembled as a service via our not for profit arm, to our interested community.

We offer all contents in love and with the fullness of grace, which is intended to flow to readers who join us upon this fascinating journey throughout this incredible changing era we are all experiencing.

Living Feelings First, *John.*



By living true to ourselves, true to our feelings, we are living true to God. It's that simple.

Hello Ladies and Gentlemen,

You could say, this is where the adventure started for Pascas. However, it started a long time before this event.

In 1999, a gentleman asked me if we had contact with an ethical funder / investor for a technology that he and his associates had become involved in. We presented documentation regarding an Italian funder who had been knighted into the order of St John, and so the journey began.

The objective of this group was and is to have the technology available for all throughout the world free. That is, without excessive financial obligations to the innovators who were developing the technology.

A toroidal power generator is a stand alone power generator without any further input required that has a commercial cost once operations start. That is what a Quantum Energy Generator (QEG) also is.

Consider this.

Education is the source of all progress. Without education nothing advances, in fact we regress. About 1.3 billion people are without electricity supply. Without electricity you have no internet. With internet one can deliver to any point on the planet any form of education there is – if there is an electric supply.

Back in 1999 what these developers had was a Toroidal Power Generator. Once you start it, it continues to deliver surplus power to its own need. The unit can easily sit on a desk top. It is not expensive to build. You do not have to feed it barrels of diesel or other fuels. This is its big advantage, once installed there are no real significant recurring costs. Like every electrical mechanical devise, you have some maintenance.

Imagine you are in South Sudan, or on an island in the Solomon Islands, these citizen's total budget is typically on fuel to feed generators. This devise can power water pumps so that water can be pumped to villages as well as provide communications to the villages, and all kinds of services.

The inventor died in the year 2000 and no one, at that time, could replicate the operation of the technology.

I still know about four people who saw this technology operating back in 1999. One is an electrical engineer who I spoke to in August 2014 who again confirmed having observed the operation of a toroidal power generator, a different version to QEG.

The QEG is about this same technology. It is now working. AND the technology has been made available free to the world, just like the intent of those 15 years ago. This time through others who are totally unknown to this earlier group, the technology now has been released to the public free.

Setting up schools in communities with out power, now to be able to have power that then can connect to the internet is a great gift. If that is all we can do then that is just absolutely wonderful.

But we will be able to set up health clinics – Pascas Care Centres – and do many other things.

This webinar was originally broadcast on July 20th 2015. It was conducted by James Robitaille, the designer and lead Engineer for the QEG Project. Here's the replay link:

<https://www.youtube.com/watch?v=MKECbzxgB-Q>

Take the first step to a better future for yourself, your family, your community, and your planet.

Imagine for a moment...

- *You can get off the electric power grid
- *You can be proud of building your own generator.
- *You have it running your home.
- *You had all the building information you need.
- *You have the confidence of a Master Builder

Are you tired of paying Big Energy your hard earned cash and know there's got to be a better way?

If you answered yes to this question... let us be the first to tell you...

IT'S NOT YOUR FAULT.

Why?

Well... It's not your fault that this knowledge has been suppressed for over 100 years.

It's not your fault that everything you needed to know about other forms of energy production was removed from even the textbooks.

It's not your fault that you never heard about radiant energy.

It's not your fault that you don't have anyone giving you the correct information.

So in this webinar you are going to go from possibly not knowing anything about building your own free energy device, to being able to build one. And I show you

How to Get the QEG to Overunity

QUANTUM ENERGY GENERATOR (QEG):

The group, "Fix the World," has found the plans / drawings for Nicola Tesla's Quantum Energy Generator, worked with electromagnetic engineering's, researched, build prototypes, and finally got a working prototype. It's all open source and completely free (except the materials and labor, of course!). They're taking it around the world to help people set up cottage industries in more populated areas; it will be great to take to the technology to far reaches when they're ready for setting up their own power systems.

<http://hopegirl2012.wordpress.com/2014/03/25/qeg-open-sourced/>

Here are the open sourced documents for a quantum energy generator. This has been made possible by the people and for the people. It is freely given to the world.



[CLICK HERE FOR QEG OPEN SOURCE DOCUMENTS](#)

An average modern household requires 5 – 10KW of power to operate.

A conventional generator needs 15KW to produce 10KW of power.

To produce these 15KW of power we rely on gas, diesel, propane, coal or other products that can be metered creating profits for the oil industry.

130 years ago Nikola Tesla invented and patented an energy generator. This is a resonance machine that only needs 1KW of input power to produce 10KW of output power. His patents are now in the public domain.

The Fix the World Organization has reproduced Teslas design with a few modern twists to generate the same results. Our Quantum Energy Generator (QEG) provides 10KW of power output for less than 1KW input, which it supplies to itself.

We have freely given this technology to the people of the world. We've open sourced a full set of instructions, user manual, schematics and parts list for any engineer to follow and reproduce the same results.

How the QEG works:

First we use a starting power source, such as an outlet or a crank to power the 1 horsepower motor. This motor spins the rotor in the generator core. The unique oscillator circuitry configuration in the generator core causes resonance to occur. Once the core achieves this resonance it can produce up to 10KW of power, which can then be run through an inverter to power the motor that spins the rotor. You can then unplug the motor from the original power source and the generator will power itself.

Cottage Industry Community Units specifically for the production of QEG's are NOW developing in communities in 30+ countries. The People are making their own free energy devices.

The QEG belongs to humanity now. Many will make further improvements and we will all co-develop this practical bridge technology together.

The QEG: For the People and By the People

Fix the World is currently traveling to Taiwan, London and Morocco for the month of April to help communities build QEG's. Everything we have accomplished has been made possible by the donations of people like you. If you would like to help keep us going, every little bit helps! Please consider giving back and making a donation of any amount to the Fix the World Organization.

<http://hopegirl2012.files.wordpress.com/2014/03/qeg-user-manual-3-25-14.pdf>

<https://www.youtube.com/watch?v=3FqzTW7qh2U&feature=youtu.be>

Published on Mar 4, 2014

Quantum Energy Generator discussion including 3D Printer Global Network information.

<https://www.youtube.com/watch?v=RJKE5DJRMFQ>

Published on Apr 6, 2014

See <http://QEG.builders> for our project page.

<https://www.youtube.com/watch?v=Jhd0Ebygriw>

<https://www.youtube.com/watch?v=P-a8QAeCoNU>

Self Running 40kW 40,000 Watt Fuelless Generator Full Video

Published on Jul 3, 2012

Self Running Electronic Generator – the energy produced is derived through the quantum field.



www.witts.ws

World Improvement Through The Spirit Ministries – W.I.T.T.S. – Timothy Thrapp

Longer (FULL VIDEO) and more detailed 2.3kW demonstration of the 40kW WITTS Fuelless Generator. This device, once started, requires no input of fuel whatsoever and derives its power from the quantum field. This is only one example of numerous technologies ready to be manufactured to help the Earth and its people.

This video is copyright protected. Please respect this video and its copyrights no unauthorised redistribution of any kind is permitted. Give no occasion for the devil.

This is not a trick or slight of hand in any way, there are no hidden wires or power sources being used other than what you see in the video. This technology is real and currently in use by W.I.T.T.S. Please see our website www.witts.ws for more information on how to bring this technology to be readily available!

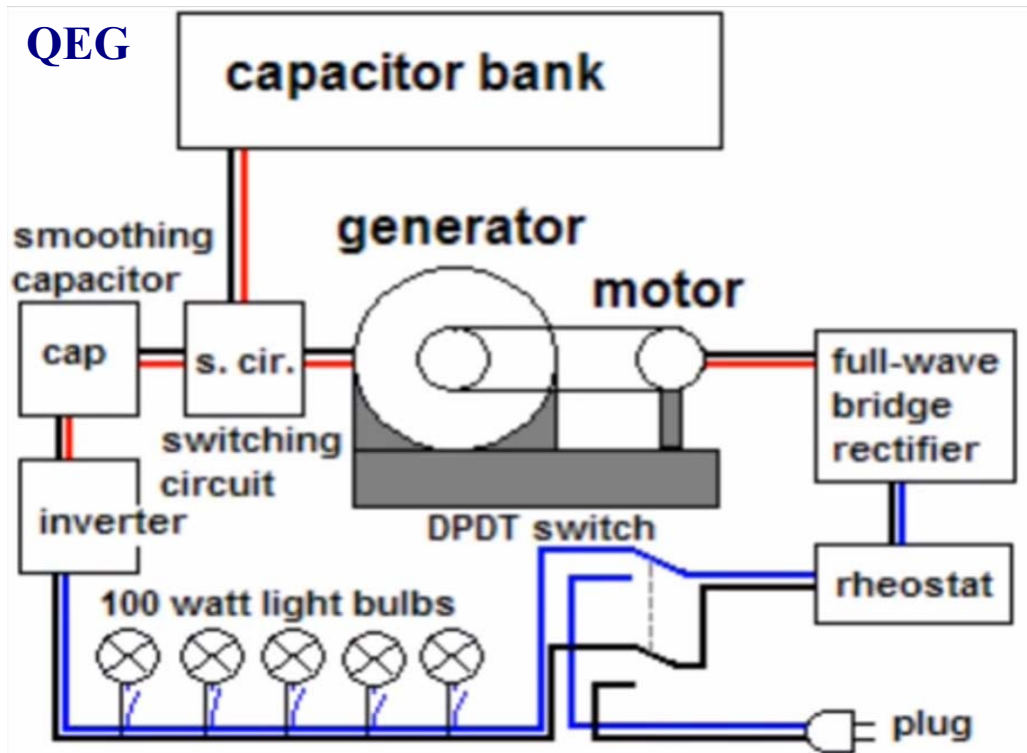
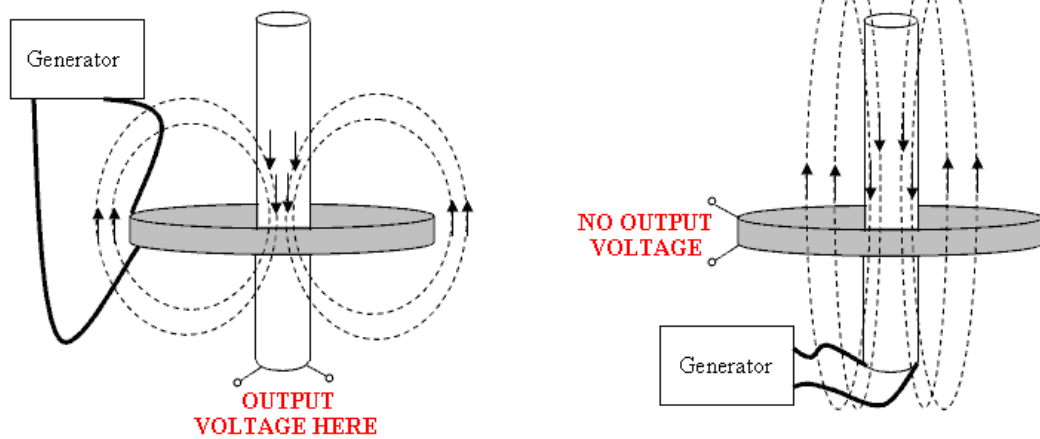
This video is being used via special written privileges.

<https://www.youtube.com/channel/UCgUBFNW5fUfO6IQbaaaA5Mg>

<http://hopegirl2012.wordpress.com/2014/05/25/qeg-3rd-phase-development-self-running/>



<http://synergy-project.net/en/node/80>





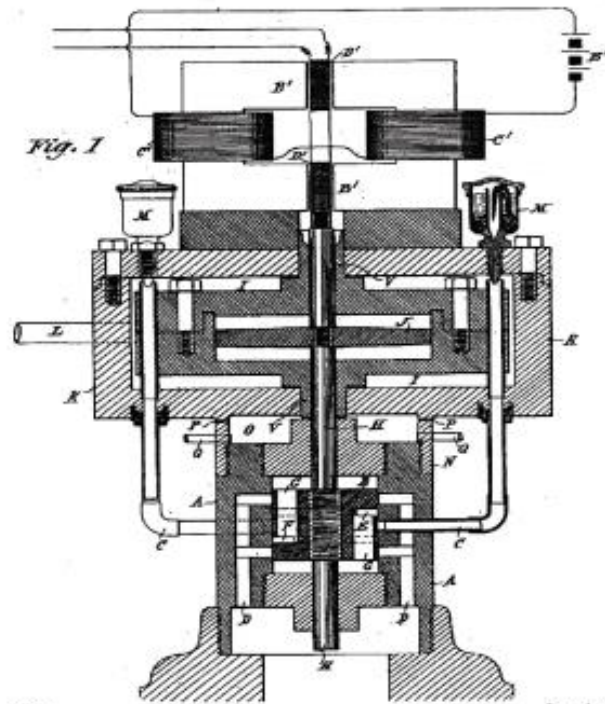
(No Model.)

2 Sheets—Sheet 1.

N. TESLA.
ELECTRIC GENERATOR.

No. 511,916.

Patented Jan. 2, 1894.



Witnesses
Raphael Foster
R. T. Gaylord

Inventor
Nikola Tesla
By His Attorneys
Duncan & Page

Nikola Tesla

QEG Full Disclosure.

This entry was posted on April 3, 2014 by [hopegirl2012](#).

“If you Build It, and Give it Away, They will come.”

<http://hopegirl2012.wordpress.com/2014/04/03/if-you-build-it-and-give-it-away-they-will-come-qeg-full-disclosure/>

Free energy has been released to the people. You can choose to be skeptical if you wish, but in time (perhaps just a few short months) the reality of what is happening will become more and more apparent.

Open sourcing the plans for the QEG was a turning point for all of us. Now that the cat's out of the bag, we would like to take this opportunity to fully disclose to The People the full background story behind the last 6 months. We could not speak about much of this before we open sourced as we had to protect our family, our energy, and maintain the integrity of what we were trying to do.

The Results in the First Week:

In the first 24 hours 20,000 people downloaded the QEG plans. Since then it has gone so viral it is hard to get an accurate count. The manual has been posted on many blogs and is thoroughly spread through all forms of social media. So far the manual has been translated into German, Italian, Japanese, Swedish and soon Chinese and Spanish.



Websites are being created with forums to help spread and share information. Here is one of them, and so far there is a lot of up to the minute info being posted here: <http://be-do.com/index.php/en/>

We also have a skype chat room called QEGNetwork where many have gathered to post and share questions. Here is a link to this room, you need to have skype on your computer and you need to have your own skype account to sign in:

skype:?chat&blob=N-skpVBnysb-jjDWhpeDfZAunrEsqqdmcYmSdNEhCt79
T3gTuq3uGtGSvziq13ATcBEwhZ81SPwhbJ1sHsae1ku_ecFXHhPGqCp7wKV
Ky7j9Z6j_ffUf0SuAsUwgPKuWhjdznSvWEo1a5EffkCsHA948VzvwaCPbc6D
huuSELHMjHyJBTCnms6G62GV3raMa3etBfG70pIa_C3Ee9D-T89eFh8WRRyOnHZhe

We would ask for people with website skills to create networking websites so that CICU's all over the world can connect and speak with each other. This is important to help with troubleshooting, and sourcing the parts. We need to spread this knowledge fast and help groups to find each other.

Immediately after open sourcing the Fix the World QEG family attended a Prepare for Change Cobra conference in Taipei. We showed a presentation video of the QEG working prototype. Many who

attended that conference are spreading the QEG knowledge all over the world. Cobra and his contacts from the light forces came to the factory where we are building QEGs to observe the operation for themselves. They are very impressed and we have the full backing and support of the Resistance Movement. Plans for larger scale production and parts sourcing are underway.

Teams of engineers are forming in more countries than we can count to build QEG's. Our first hands on experience is here in Taiwan with a group of engineers, many of which came from China who plan to bring the knowledge back to China. These "Men of China" have spent a small fortune and waited for a month just to get Visas to be here in Taiwan for QEG training. They have raised a large sum of money to begin QEG production in China. We were told from a high level contact that the QEG plans will be shared with 5,000 engineers in China who will be making as many innovations on the QEG as possible and open sourcing the plans for each one.

Already we have seen plans for improvements and innovations to the QEG, the engineers of the world are taking full creative license on what can be done once you have achieved an over unity power source. Many are very excited.

One of our suppliers Torelco, is extremely excited about the high demand for processed cores, and many orders have been placed in the last week from all over the world. They are rearranging their workforce to handle the demand and working to get the best possible price for people. They are charging US\$3,000 for the complete processed core which is a great price, and does not include shipping.

We recommend Torelco for purchasing a finished core which includes laminated steel core and rotor, all mica components, magnet wire, sleeving, spacer blocks, mylar tape and outerwrap tape, 8 inch through-bolts, nuts, washers, Nomex corner insulation and toroidal winding. Since open sourcing, we have learned that our other supplier, Polaris, will charge you double for the bare generator sets. Torelco will give you a much better price for a bare core as well. As FTW continues to roll out the distribution plan, and more connections across the world are made, we think CICUs will be commonplace and hence, QEG parts will be more accessible (many people will be making them!)

Please Watch for **Updated User Manuals** as development progresses. They will be here: <http://www.fixtheworldproject.net/qeg-open-source-documents.html>

A Special Note to those who cannot afford the parts to build a QEG.

We understand and are doing the best that we can to find cheaper parts and come up with creative ways to help make QEG's more affordable. Some of these ideas are sponsorship programs, donated QEG's to people in need, crowdfunding campaigns where people can pool their resources to buy the parts, and much more. This is all still very new, and in just a little more time (probably about 2-3 months) the people will have enough time to put together systems and manufacturing structures that will make them more affordable. In the meantime, there are many that do have money and the right intentions to build QEG's. They are helping to bring this out. And since no one owns the QEG, it is available to all, and will become more accessible over time.

FTW Next Steps for QEG

We are getting more questions than we can answer individually, and we want to help as much as we can. To help with this information flow we will be doing a free weekly radio show with James Robitaille and HopeGirl on Mission I'm Possible Radio called "Ask James about the QEG". Here, people can call in or send questions that James and Hope will answer on the air. The shows will be archived, and we will find a transcriber to type out all of the Questions and Answers and post them in forums for others to find the answers they need. Check the radio station for scheduled show times:

<http://www.blogtalkradio.com/expandinguradio>

Hope will be travelling to London to give a QEG presentation at the [Alchemy Event Conference](#) on April 11, 2014. While in London, she will also be meeting with Sacha Stone and other members of the truth movement and New Earth Nation to collaborate bringing free energy to the world.

Our next QEG training and building will be in Aouchtam, Morocco at the One People's Community. Many want to come to see the operation for themselves. Brian Kelly will be organizing travel accommodations. If you would like to join us in Morocco please contact Brian Kelly:

<http://briankellysblog.blogspot.tw/>

There are many other trips and requests planned for the near future, including Peru in June. We will continue to travel as much as we can, as hands on learning is the most effective way to pass on the knowledge. However, at this point it is one of our main concerns to put together a global 'train the trainer' program. This would involve training engineers to build QEG's and showing them how to train others. This way the information can spread much faster and more efficiently. Part of this program would be to strengthen our organizational structure so that we can handle the increased workload.

FIX THE WORLD PUBLIC STATEMENT:

We are not in the prove it business, we are in the do it business. We are doing the work, teaching others how to do it and showing the process so that it is available to all. The most important thing is to get this technology directly into the hands of the people, which is what we are doing. Our working prototype will be proven to the world through the people who believe in free energy enough to do the work needed to bring it out of suppression. Therefore the people will be the ones to make the announcements, which will be more effective, and the people will get all the glory.

130 years ago, Nikola Tesla designed an over unity fuelless generator that could provide enough power to power your home. This technology was heavily suppressed as a way to control the people of this planet through dependence on oil. Tesla's designs and patents are in the public domain.

Through research, study, help from others, divine inspiration, and over 30 years of electronics engineering experience, James Robitaille of the Fix the World Organization (FTW) took one 1-hour class with an organization who has been building (and suppressing) these generators for over 20 years, and was able to figure out how to build it. We raised the money for the prototype through crowdfunding and donations from over 1,000 people who believed in us. It took us 5 months to build the prototype, and once we got raw power, on **March 25th of 2014 we open sourced the plans** and gave away the technology to the world. Our **Quantum Energy Generator (QEG)** provides 10KW of power

output for less than 1KW input, which it supplies to itself. Now that this raw power source is achieved and shared so freely, there will be many variations and improvements. Humanity will be co-developing the future of the QEG, and will be free from the enslavement of the oil and energy industries.

FTW has never, nor do we ever intend, to own or control the QEG. It is a gift to the world. Now that we have given away the technology, it is up to the people to build, research, promote, prove, demonstrate, innovate and share. It belongs to humanity and it is up to the people now to spread the QEG around the world. We encourage people in every country to take the initiative, organize in local teams, create forums, websites, youtube videos. Gather your engineers, your business managers, source the parts, raise the funds, and distribute them to your people. You can do so through what we call a **Cottage Industry Community Unit (CICU)**.

We intend to teach others to build them and if necessary, we may play a role in organizing the supply of the parts to CICU's who are building QEG's. To raise the funds to start a program for global QEG training, we may temporarily sell a limited amount of pre-orders. FTW is an organization with over 60 projects that can change the planet and help people in need. The QEG is our pilot project.

Our organization needs funding so that we can continue our work and bring more projects to the world in a similar fashion. This is the way we hope to get funded: establish a give back agreement with CICU's that are building and selling QEG's. This agreement is a choice, not a requirement, and can be in any amount that the CICU likes and can be adjusted according to the CICU's needs at any time.

There have been many attempts at releasing free energy technology in the past. There are many working devices that have been proven over and over again. None of them were successfully delivered to the people. We believe that there are two reasons for this: violent suppression from opposing corporations and negative human characteristics such as greed, fear and control.

Therefore, the only way humanity would have the free energy it needs to survive would be through a completely unconditional and selfless act of kindness and a social media awareness strategy. This is why FTW did it this way. If we tried any other approach, we might not have been successful at our ultimate goal: Above all we want to bring free energy to the people and end the suffering on this planet.

What has been done is unstoppable. Free energy is here NOW. It is Real and it is in the hands of The People. In the first 24 hours of open sourcing, 20,000 people downloaded the plans. Since then social media has allowed it to go viral at record speed. The plans are everywhere in many countries. Engineers are taking this very seriously and we expect that in the next few months, QEG's will be popping up everywhere. There are simply too many people on this planet to suppress it; we will reach a tipping point.

BEHIND THE SCENES: THE FIRST 6 MONTHS OF QEG DEVELOPMENT

This was not easy. It began in September of last year with a "download" of information that came through my stepfather James Robitaille. He called me when I was in Australia with the news that he had figured out how to make the QEG work. I was meeting with investors in Australia who told me "If you can show us a working prototype, we'll fund it". But we didn't have the US\$7,000 needed to build the prototype and the investors refused to help. Please understand that our family has very little material

wealth (but lots of love!). We struggle to make ends meet and have debt like most of the people in our country trying to survive. We put together a crowdfunding campaign that was over funded by 300 amazing people who believed in us. This turned out to be a good thing, because in the end it actually cost us \$15,000 to build the prototype.

From the moment we entered into the arena of free energy, we became a target. During the first 6 months of building the QEG our family was faced with many difficulties and negative opposition both in our personal lives and in our public life. We believe that these obstacles were placed there as a way to try to prevent us from being successful in our goal. We had one crisis after another. Each time we dealt with the crisis and got back to working on the QEG. We also had a lot of attacks and negative comments online. We were called every name in the book and we received death threats. Yes it hurts, especially when all you're trying to do is help people. We know about paid trolls, and the last efforts of the cabal. We fought the negativity with every spiritual tool we had. Prayer, meditation, energy grids, Love... EVERYTHING. We knew that we were walking into Canaan and going up against giants. In this land we could not win by our natural abilities, we needed supernatural abilities. Faith was mandatory.

There were many moments during this time where we wanted to post what we were doing, and how things would roll out. We wanted to tell everyone what the results were. We wanted to share the miracles, and answer everyone's questions. But there was so much opposition, our family and the QEG was not yet protected by the open sourcing. We knew that we had to keep silent and wait.

Normally we try to omit negativity in our posts and not give it too much attention. However in this instance we feel that it is important to expose some of the truths that we encountered along the way to help people understand the contrast of why other attempts have failed and why ours worked.

We tried to work with some people that had decades of combined experience. These individuals thought we were moving too fast and wanted to slow everything down so that they could control it. These individuals did not trust the people to be responsible for receiving free energy, and thought that humanity should wait another 20 years until we had gotten everything "perfect" enough to release it.

We don't feel this way. Humanity should have had this 130 years ago (or more). Its time to free the people.

We tried to work with some people that could teach us their methods of building free energy devices. These people wanted a lot of money for their knowledge and omitted information so that we would keep coming back.

We met with many wealthy people; some of them billionaires. They said they wanted to help the planet, they promised they would fund our projects with huge sums of money. They wasted a lot of our time, drained our energy, and slowed us down from achieving our goal. They believed they were wealthy because they "earned it" and that people who were poor brought it upon themselves. Therefore they wanted us to do lots of extra free work for them in order to "earn" a donation from them. We tried to see their perspective and work with them in every way we could think of. After 1 ½ years we never received funding from any of them. In some cases, not even a US\$5 contribution to a campaign. We have grown very weary of promises of huge funding and no longer have time to invest in chasing the

dangling carrots. Those who are serious will understand that this is not about the money, it is about the intention. Those with the right intentions could never watch someone struggle and suffer without doing something to help. In contrast, those with wealth who have contributed with the right intentions, and the 1,000+ “average” people who donate to our campaigns in small amounts and are happy to give what they can because it makes them feel good to be a part of creating this Golden Age together with us. It is THESE people that have made the QEG possible.

We have had many people attempting to give us business advice based on their ignorance of suppression and corruption. We were “very strongly advised” to do many things in the “traditional” way, all of which we knew were part of controlled corporate government systems. We had to discern every decision, every conversation and every piece of information presented to us to ensure that this entire process was completely free from the grasp of those that want to suppress it.

During this time we also had many strong moments of miracles. Each and every time we thought we might fail, God showed up, the people showed up, and everyone helped. We never lost our faith in succeeding in something we believed in. We learned many lessons along the way. For every negative experience there were 10 amazing positive experiences. We chose to keep our focus on the beautiful messages and the beautiful support we received, and this is what kept us going in our most trying moments. It is the reason why this whole thing worked. Never underestimate the power of kindness and love. It is far more powerful than any negativity and suppression, and the QEG is living proof of that.

A Word for the Believers:

This is the moment many have been waiting decades for. Now it is up to each and every one of us to actively engage in doing the work. Find parts, find engineers, find a workspace, pool your resources and work together and you can manifest this for yourselves right now. We can visualize and meditate for a QEG for a long time before we have one providing the power in our homes. Now is the time to act in any way you can to make this happen for yourself and your people.

A Word for the Skeptics:

Please try to have an open mind. This is real and many people desperately need this. If we told you 30 years ago that everyone would be walking around with smartphones, you would have thought we were crazy. If you want to be skeptical that is your right and we can respect that. In the next few months as people start building QEG's you will have whatever you need to feel comfortable with this change. In the meantime we ask that you refrain from spreading negativity during the infant stages of something that so many brave souls are making great sacrifices to achieve.

A Word to the Inventors and Engineers of Free Energy Technology

We know what you have been through and we know that it has not been easy. Humanity needs your inventions and many of you need recognition and financial support for your work. The old ways of doing business DO NOT WORK. We know this because no one has free energy, until now. This can be your opportunity to get your inventions out there. If you follow our example and open source your inventions there are enough good people out there in this world that will help you have what you need,

and in return humanity will have what they need and we can put an end to the suffering on this planet once and for all. We took a stand and did this. Who will stand with us?

Our Mission – FIX THE WORLD

FTW will provide the essential services necessary to implement planet changing projects and then use the profits from these projects to fund other humanitarian projects that help the needy and heal the planet. We will do this by operating with integrity, honesty and transparency under a set of directives we call the “The New Paradigm Business Model”.

<http://www.fixtheworldproject.net/qeg-open-source-documents.html>

fixtheworldproject@hotmail.com

Fix The World – FTW Team

[Valerie](#) Robitaille
HRD (Healthy Relations Department)

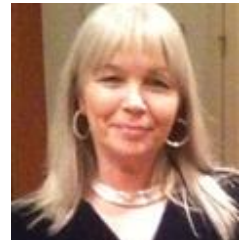
[Naima](#) Feagin
"HopeGirl" Massachusetts USA
CEO (Compassionate Enterprises Organizer)

[James](#) Robitaille
Energy Consultant

[Gonzalo](#) Resta
FTW Council

[Peppi](#) Meikle
New Paradigm Media Consultant

[Angela](#) Sanchez
AA (Administrative Angel)





QEG SYSTEM DESCRIPTION

25 March 2014

<http://hopegirl2012.files.wordpress.com/2014/03/qeg-user-manual-3-25-14.pdf>

The Quantum Electric Generator system (QEG) is an adaptation of one of Nikola Tesla's many patented electrical generator / dynamo / alternator designs. The particular patent referenced is No. 511,916, titled simply "Electric Generator", and dated January 2, 1894 (see back of this manual). The adaptation is a conversion from a linear system, to a rotary system.

The QEG prototype is scaled to produce electrical power in the range of 10-15 kW (kilowatts) continuously, and can be set up to provide either 120 Volt or 230-240 Volt single phase output. We are also planning future designs to provide 3-phase power.

Service life of the device is limited only by certain replaceable components, such as bearings, v-belts, and capacitors. The basic machine should operate trouble-free (with minimal maintenance) for as long as any good quality electro-mechanical appliance, such as a quality washing machine or refrigerator. Heavy-duty mechanical components are used throughout for reliability.

The QEG is not a complicated device, as it is designed (like Tesla's other 'discoveries'), to work in harmony with natural laws, rather than with the power-wasting symmetric motor and generator designs used in today's mainstream industry.

An effective way to understand the operating principle of the QEG is to think of it as a high-powered, self-resonant oscillator (a power tank circuit), which generates high-voltage AC (15 to 25kV). These HV oscillations are then transformed into line voltage AC output, at current levels up to approximately 85 A. In today's alternative energy terminology, it would be called a type of resonance machine.

The circuitry that develops high power in this device is really based on an existing but under-utilized power oscillator configuration, however, the 'quantum' part of the design has to do with how the generator output is tuned for maximum power. Conventional alternators (AC generators) consume more input power than the output power they provide. For example, one brand of power take off (PTO) alternator uses 18,000 watts (24 horsepower) to develop 13,000 watts of output power. In the QEG,

input power is used only to maintain resonance in the core, which uses a small fraction of the output power (under 1,000 watts to produce 10,000 watts), and once running, the QEG provides this power to its own 1 horsepower motor. This is known as over-unity. Once the machine builds up to the resonant frequency, it powers itself (self-running).

In the QEG, the exciter coil is used to provide a conduction path through the quantum field (zero point) into the generator core. This has the effect of polarizing the core, which increases power output over time.

James M. Robitaille

NOTICE

TO BE READ AND UNDERSTOOD BY ALL QEG PROJECT CREWS

Fix the World (FTW) is not responsible for the actions of others. We can only tell you our experience. We have discovered it is essential that those wishing to build a QEG use careful thinking, patience, and consideration for the greater good.

The inhabitants of planet Earth are entering into a new paradigm and a new way of doing business. In honor of Nikola Tesla, the QEG is a gift freely given to the world, and FTW's involvement is strictly altruistic.

The QEG is an electromechanical device and as such, safety for the individual and end user should always be of prime concern. It is therefore essential that persons assembling the device are experienced in the field of electro-mechanical assembly. A considerable level of knowledge in quantum physics is also required.

IF YOU ARE TRAINED IN TRADITIONAL PHYSICS, AND HAVE NOT BEEN DOING THIS WORK FOR MANY YEARS, YOU MUST FIRST DO YOUR RESEARCH ON BASIC QUANTUM ENERGY DEVICES AND HOW THEY WORK (e.g. resonance and tuning).

Electrical / Mechanical devices are inherently dangerous. Electrical shock hazards can cause serious injury and in some cases death. Mechanical hazards can result in dismemberment and in some cases death.

Due diligence has been applied to ensure that the QEG instructions are complete and correct. All local and country-specific electrical and mechanical code implications, by which a QEG might be installed and operated, cannot possibly be known. Nor is it conceivable that any and all possible hazards and/or results of each procedure or method have been accounted for.

It is for these reasons that the QEG must be either directly installed or supervised by an experienced electromechanical engineer to ensure the installation is done safely and in accordance with local electrical code, however, the QEG is installed the same way as any commercial generator and does not violate any electrical codes. Anyone who uses the QEG installation instructions (including but not limited to any procedure or method of installation) must first satisfy themselves that neither their safety, nor the safety of the end user, will be endangered over the course of the installation and operation of the QEG.

It is imperative to understand YOU NEED PROFESSIONALS AND EXPERT ADVICE to build a QEG.

The installation instructions are designed to show how we have found the building of the device to be accomplished, and any negative outcomes that result are completely the responsibility of the person / company building it; FTW provides no guarantee for the successful installation of the QEG. This notice serves the purpose of communicating the serious nature of building a quantum machine, as we are well aware that there have been severe restrictive agencies involved with their suppression. Quantum free energy isn't taught at University and most designers have heretofore been unsuccessful at mass distribution. It is YOUR RESPONSIBILITY therefore to make certain you are building the QEG with positive intentions for humanity, and lashing out legally or otherwise to FTW, HopeGirl and/or the designer and his family, is a violation of goodwill and will in no way be attended to. We know of no other way to do this but to go back to the "HONOR SYSTEM."

In reading this notice I agree that:

- 1) I WILL NOT ATTEMPT TO BUILD A QEG UNLESS I DO SO APPROPRIATELY WITH AN ELECTRO MECHANICAL ENGINEERING PROFESSIONAL.
- 2) I WILL NOT COMMISSION (TURN ON) OR INSTALL THE QEG WITHOUT AN ELECTROMECHANICAL ENGINEERING PROFESSIONAL.
- 3) UNDER THE ABOVE CONDITIONS, I MAY USE THE QEG INSTALLATION INSTRUCTIONS FOR PERSONAL USE, AND UNDERSTAND THE NEED FOR IMPECCABLE COMMITMENT TO THE BETTERMENT OF HUMANITY. IN THE BEST INTEREST OF THE PEOPLE OF PLANET EARTH, I WILL NOT ATTEMPT TO MISUSE OR MONOPOLIZE THE QEG INSTALLATION INSTRUCTIONS IN ANY CAPACITY, NOR WILL I ATTEMPT TO MAKE A HUGE PROFIT AT THE EXPENSE OF ANOTHER HUMAN BEING.

IMPORTANT – Please make certain that persons who are to use this equipment thoroughly read and understand these instructions and any additional instructions prior to construction, installation and operation. In addition, we require you to read this notice again when you are ready to assemble the core.

Letter from the Editor 25 March 2014

Dear Builder,

It is no easy task to build the QEG, and we want to encourage you by offering a short treatise on the importance of ‘consciousness’ in this endeavor. Many are becoming more familiar with Nikola Tesla, his desire for all people to have access to free energy, and his failed attempt to expose this technology to the world. Many have followed him with the same aspirations and, similar to Tesla’s plight, have also been prevented by powers beyond their control. The “free” energy movement is rife with horror stories ranging from government theft of patents, to reputations destroyed, to the murder of untold numbers of brilliant scientists / inventors.

We must all consciously and constantly rise above these tyrannical infringements, and create an environment for ourselves and our neighbors, and rediscover Nature’s Laws to be able to live and thrive. We must leave off responding in incredulity to what was “done to us” when we were told and believed we couldn’t create free energy. We are now awake to the point that we know they were lying. Who’s they? The elite for starters – follow the money (watch THRIVE); J.P. Morgan couldn’t put a meter on an energy plan for the world, and so destroyed any chance of that happening through several vicious attacks on Tesla’s reputation and livelihood – basically got Tesla’s ideas out of the way for his own profit and power – and maliciously destroyed the man (youtube: Tesla’s Autobiography). While the electric companies have told the people theirs is the only way to get electricity, and we are dependent on them, the truth is that we have been deprived of this alternative (quantum) energy source for close to 130 years. Morgan’s grip on the energy supply has not loosened one bit in all that time, in fact, you are probably paying more for electricity than ever before, all things being equal.

So how do we effect our future now, and free ourselves and the generations to come after us completely from energy tyranny? Building the QEG is one way. It is a journey that requires you think deeply about processes that will, in turn, expand your senses to enable you to receive information from the quantum field of consciousness, or God if you prefer this reference. We believe we had Divine inspiration and help, which began with a burning desire to “get off the grid” and also do something significant for humanity. The timing is wonderful because, as of the writing of this, the entire planet is in turmoil as never before, and people will need to not only be self-sufficient, we will all need to live according to what is good for all (Ubuntu), and help each other for our continued evolution as species / planet.

It is with great love that the QEG is offered to the world, and as you take on the task of building one, it is hoped that this becomes your path also: the mission of free energy for all! The next step we ask you to take on your journey, before and during building, is to listen to the discussion here:

<http://www.youtube.com/watch?v=3FqzTW7qh2U&feature=youtube> with HopeGirl, Ralph and Marsha Ring, Fernando Vossa and the 3D Global Network.

I am, in service to Gaia and its inhabitants, deeply grateful for this technology, and the opportunity to share it!

Valerie Robitaille

IMPORTANT ADDITIONAL INFORMATION

We are not professional writers or photographers and didn't always have opportunities to document or photograph every step of development. Therefore, please take the level of engineer / electrical experience required to build a QEG very seriously as we are giving these to you under this premise.

You will discover the advanced level of knowledge of mechanical / electrical processes needed quickly enough. The correct construction of the QEG requires patience and careful thought. We made several mistakes in development and have given here the steps that were successful. You will probably still make mistakes – and these will be your greatest learning opportunities as you gain more knowledge about this type of energy.

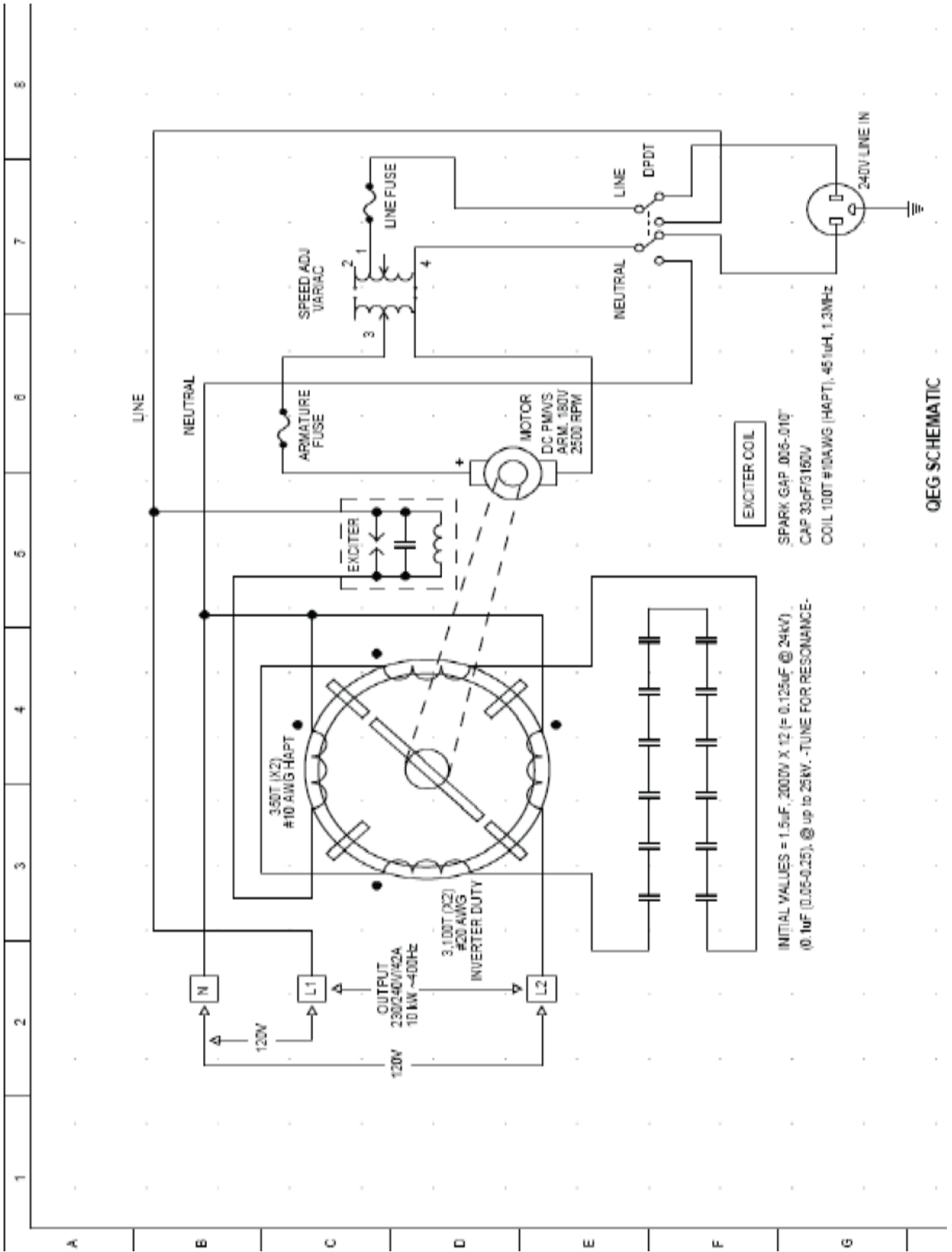
Before beginning to build, consider how much you would like to outsource to one of the cottage industry community units (CICUs) near you! In the US we recommend Polaris for the steel stator / rotor construction, and Torelco for toroidal winding. As FTW continues to roll out the distribution plan, and more connections across the world are made, we think CICUs will be commonplace and hence, QEG parts accessible (many people will be making them!).

When website URLs were available we provided links for the person reading this online. You may certainly use your own sources for materials but it is imperative you do not alter the instructions / parts herein if you are building a QEG. (We know with increased knowledge you will discover many applications for this technology.) When photographs can be shown to help you visualize a process, they are provided. Please remember, we are not professional manual writers. What we offer you here is free of charge and our gift to humanity – but it comes with great responsibility. Learn as much as you can, use discernment and wisdom, share freely, and you will be privileged to know the secrets of energy creation from the quantum field.

We would like to dedicate the success we've experienced to our first teacher, **Sir Timothy Thrapp**, and **WITTS Ministries**, without whose guidance none of this would be available so soon. We acknowledge and honor the work WITTS has done for over 200 years bringing technology forward, and hope that you will consider making a donation to the ministry for their great work.

We would also like to thank our greatest teacher and fellow humanitarian, Nikola Tesla. It is our most gratifying honor to present modern plans for a quantum energy generator to the world, based on Tesla's discoveries, especially at a time when we the people are being manipulated and controlled by a corrupt energy economy. Tesla wanted everyone on the planet to have energy. We continue to carry out his vision.

<http://www.witts.ws/>



Parts List

Part	Type, Model # or MFG PN	Quantity
Capacitors		
Ceramic Disc Capacitors	15pF 3150volts	2
Film Capacitors	2.5uF 2000V	12
End Plates and Shrouds		
Fiberglass reinforced epoxy laminate (for 2 end plates)	G10/FR4	(1) sheet ½ inch thick by 3 feet by 4 feet
Fiberglass reinforced epoxy laminate (shrouds)	G10/FR4	(2) 1/8" x 5.875" diameter
Exciter Coil		
Clear Cast Acrylic Tube	4-3/4" OD x 4-1/2" ID, 1' Length	1
#10 Magnet wire (see generator core)		
V-Belts and Pulleys		
Goodyear 4L430 V-Belt	GDYR_4L430	1
1 Groove, 3" x 7/8" bore, type A Pulley (Motor)	AK30 x 7/8	1
1 Groove 2.50" Pulley 7/8" bore type A (Generator)	AK25X7/8	1
Drive Motor	DC PM Variable Speed, 2500 RPM, 180V armature, 7/8" shaft, with base	1
Generator Core		
Spacer Blocks 1-1/2" x 1-1/2" x 4-1/2"	Aluminum 6061-T6	16
Mica Tape 1.00" x 50YD	MICA77956X1X50	1
Bonder for shaft/rotor	LOCTITE 648	1
7387 Activator (use with bonder)	1.75oz	
Mica Plate NEMA 6	36" x 36" x .030	1
7/8" Three Bolt Flange	SATRD205-14G	2
Bearings		
Magnet Wire #10 Round HPT or HAPT	~620'	
Magnet Wire #20 Round	HAIHSD 6" SPL/060-	~5200
Pulse Shield	Heavy MW35, 73, 36	

Teflon tubing	TFT20019 NA005 (Alpha Wire)	8 pieces (12" each)
Fiberglass sleeving w/PVC for #10 HAPT wire (tubing)	PF1308	8 pieces (12" each)
Tape, white, 1" fiberglass, hi-temp (outer wrap)	RG48 (Intertape)	2 rolls
Tape, black, 1" reinforced, high-strength	60020719 (Von Roll)	2 rolls
Nomex Corner Insulation Shafting 7/8" dia. x 11.0" long w/standard 3/16" x 3/32" keyway	Torelco C1045 TGP Trukey	16 7/8" dia. x 11"
8 inch Bolts, 1/4 - 28 thread, Grade 8	1050095555 (Instock Fasteners)	8
Electrical Terminals		
Assorted ring, spade, and quick connect terminals		
Additional Parts		
Variac, 120/240V in, 0-280V out, 9.5 Amps	Type 1520 (STACO)	1
Console Box w/panel	1456FG4BKBU (Hammond Mfg.)	1
Plexiglass sheet for mounting 2.5uF capacitors	1/4 inch thick by 12 inches sq.	1
Electrical box	4" x 4"	1
50 amp plug	1	
50 amp receptacle	1	
Switch, start/run	DPDT center off, 15 amp, 240V	1
Bridge Rectifier	600 volt, 25 Amp., quick connect terminals	1
Nuts	1/4 - 28 Grade 8	8
Washers	1/4 " flat	16
Frame and Base		
Angle aluminum	1 1/2" x 1 1/2" x 4 feet. 1/8" thk.	1

Suppliers and Parts/Service List

POLARIS LASER LAMINATIONS – Generator Core; Rotor
 TORELCO – Toroidal winding service and complete core processing ready to ship
 FASTENAL – Retaining (bonding) compound (Loctite 648: bonds rotor to shaft) with activator
 EIS – Mica tape; 20 gauge Magnet wire
 S & W – 10 gauge Magnet wire
 INDUSTRIAL SENSORS AND CONTROLS (ebay) – Motor controller KBIC-240D variable speed DC motor controller; Resistor
 MOUSER – Capacitors, Enclosures, Variac, Rectifiers, Start/Run switch
 JDS (ebay) – V belt; pulleys
 EMCO PLASTICS – End plates
 ASHEVILLE-SCHOONMAKER MICA – Mica plates
 DISCOUNT STEEL – Aluminum squares (spacers)
 BRIGHTON BEST – 8 in. bolts
 MCMMASTER-CARR – Clear acrylic tube for exciter coil
 LAKE CITY ELECTRIC (ebay) – Variable speed DC Motor (1 hp)
 THE BIG BEARING STORE – 7/8” Three Bolt Flange Bearing w/set screws

Additional Parts

High-temperature fiberglass tape (outer wrap)
 4” x 4” electrical box
 50 amp plug
 50 amp receptacle
 Black fiberglass sleeving (pvc-coated)
 Black mylar insulating tape
 Wood or welded steel tubular frame for base
 12 – TPC Thomson / AVX Medium Power Film Capacitors
 Angle aluminum
 Start/run switch

MAJOR GENERATOR COMPONENTS

- Stator
- Rotor
- Bearings
- V belts
- Capacitors
- External exciter coil
- End panels/plates
- Magnet wire
- Drive motor
- Control box
- Frame and packaging
- Variac
- Inverter
- Pulleys

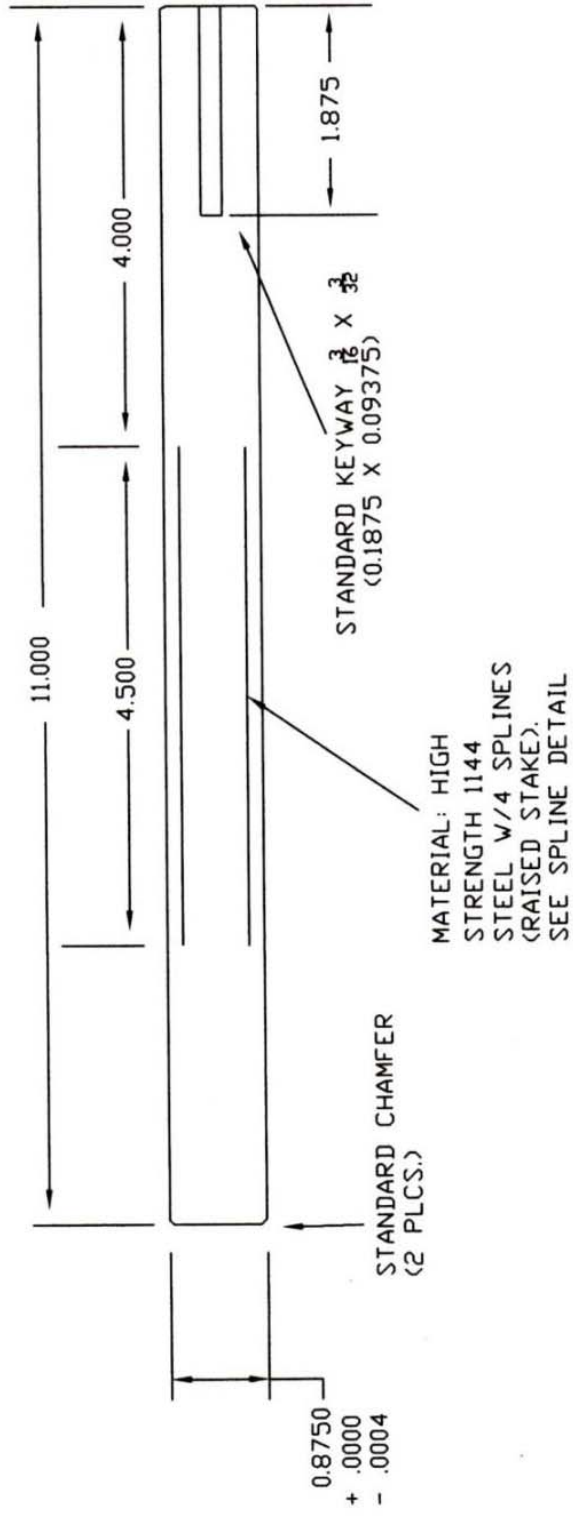
<http://www.pascashealth.com/index.php/library.html>

Library Downloads – Pascas Papers

All papers may be freely shared. The fortnightly mailouts are free to all, to be added into the mailout list, kindly provide your email address.

info@pascashealth.com

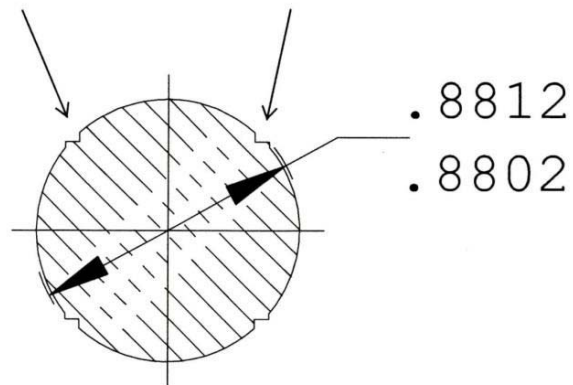
Shaft



Shaft cont'd*

* We didn't use the splines, rather, we used Loctite 648 retaining compound to bond the rotor to the shaft. This technique works very well with a close slip fit between the parts.

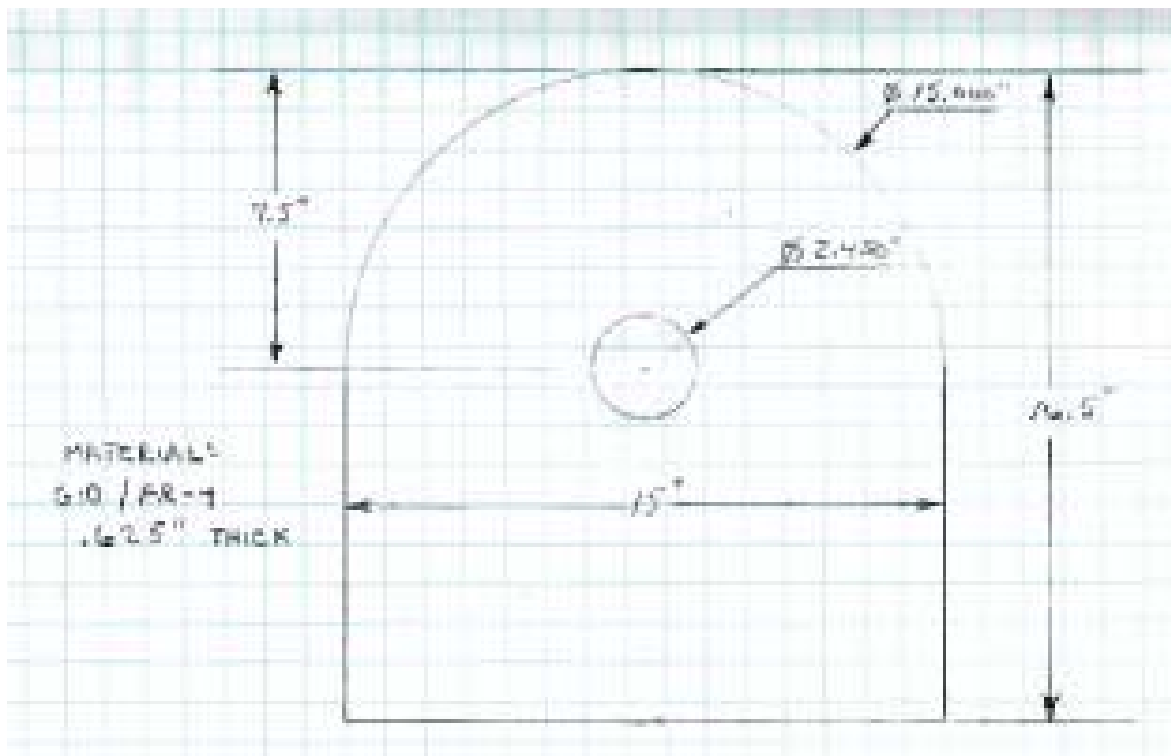
4 SPLINES (RAISED STAKE)
EQUIDISTANT AROUND SHAFT
CIRCUMFERENCE



SPLINE DETAIL

End Plates

Fiberglass reinforced epoxy laminate (FR-4/G10) is used for end plate construction. End plates must be constructed of insulating material, but must also be structurally strong as they support all generator components, including bearings, shaft, rotor and stator. FR4 is the same material used to make circuit boards and is very strong, machinable, and dimensionally stable. Dimensions: End Plates: .500" Thk. G10/FR-4 15" X 16.5" with 15" radius and 2.450" center hole.



Bearings

The bearings should have a narrow inner ring with set screws for attaching to the shaft. Housing is cast iron with a grease zerk for re-lubing the bearing. We used a 3-bolt flange type mount, but 2-hole or 4-hole can also be used. Bearings are mounted on the *inside* of the end plates toward the rotor.

Capacitors

The capacitors are a critical part of the system. The initial configuration on our prototype uses 12 caps, 2.5uF (microfarad) each. Each cap is rated for 2000V. These capacitors are wired in series in order to be able to withstand up to 25,000V in the primary circuit. The value and quantity of these capacitors will be adjusted to tune the frequency of the generator.

Variac

The variac is used to control the drive motor speed which effectively controls the system power. It's used during construction / tuning, and prior to self-running set-up when it can be replaced with the smaller, lighter electronic motor drive circuit board.

Drive motor control circuit board

The drive motor control circuit board is an industry standard SCR type DC motor drive manufactured by KB Electronics. The control board can be mounted in the console box we have included in the parts list, and is provided with a speed control potentiometer for adjusting motor speed.

End Plate Layout

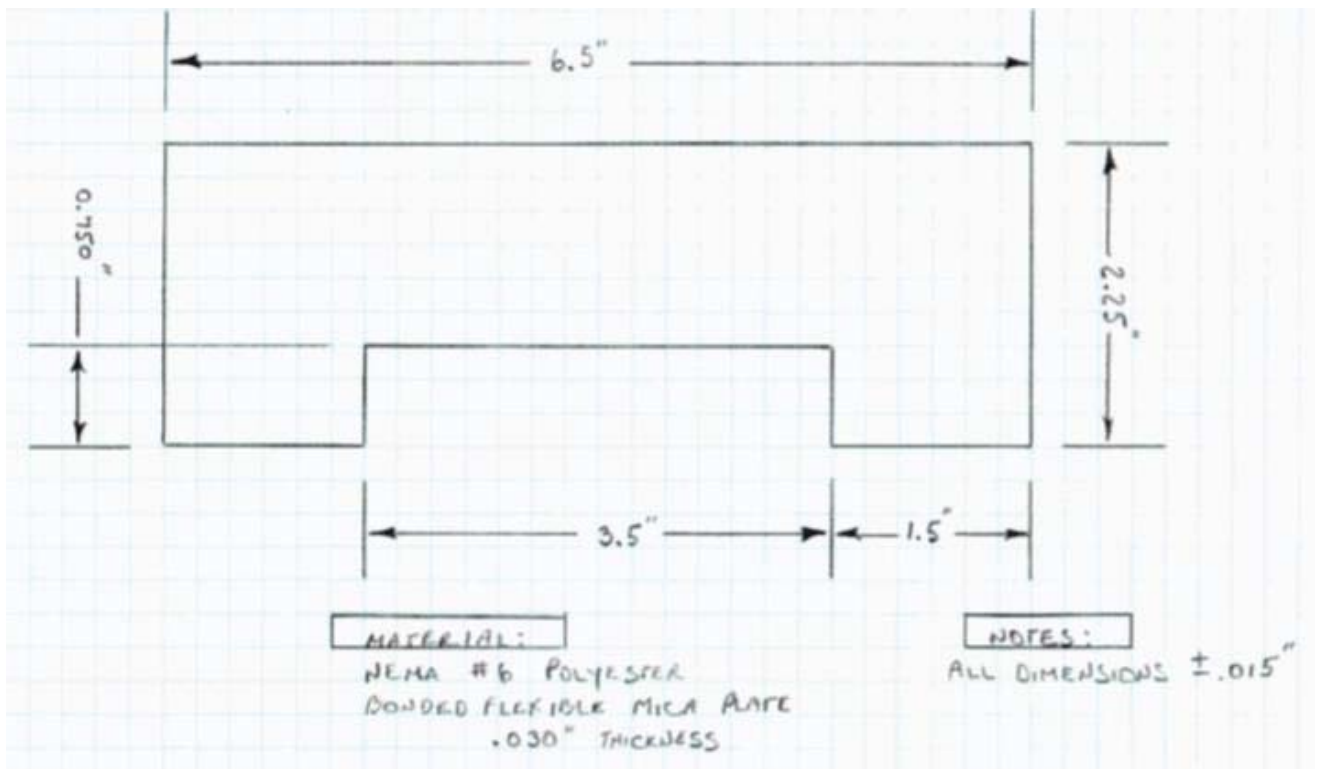
We used the bare core as a template to drill all the core mounting holes in the proper locations on the end plates. After end plates are cut and finished, place one on a flat work surface that will support 100 lbs. Place the bare core over end plate, aligning the center bore of the core with the center hole in the end plate. Make sure the pole pieces are right to the edge of the radius at the top of the end plate. We used an extra long drill bit to drill the 8 mounting holes. Repeat this process for the other end plate. Alternately, a long pin could be used as a center punch to mark hole locations and drill the holes using a drill press. If using the core as a template be sure to make assembly marks on the core and the end plate so that final assembly will have all the parts in the same orientation and the mounting bolts will go through without binding. Be sure to mark the in-facing and out-facing sides of each panel.

CORE ASSEMBLY

This is the time to review the NOTICE and section on consciousness at the beginning.

We highly recommend ordering your generator set (stator and rotor) from an experienced professional lamination house. When your stator / rotor is welded and drilled, you are ready to bolt down the 8 spacers and wrap the core with 2 types of tape: Wrap 2 layers mica tape around the steel core (round part) followed by 1 layer of 1" reinforced, high-strength black tape. These 3 layers will bring the thickness needed for insulation to 17 mil (be very mindful at the corners of the pole pieces making certain there is no opening in the insulation for the wire to fall down into contact with the steel. If this happens, the coil will be short-circuited).

Mica Plate Cuts (16 pieces)



Installing Mica Plates

After you've cut 16 c-shaped mica plates, install them on the top and bottom of each pole piece (front and back). We used a small amount of contact cement to hold them in place for the rest of the processing, but they can also be taped in place with the reinforced black mylar tape. These are installed after core taping and before winding.

Wiring

You will need to commission a toroidal winding service. They might agree to process the entire core if you supply the materials (mica tapes and plates, corner insulation, aluminum spacers, bolts, outer taping, etc.). Proper winding is critical.

Teflon sleeving is installed on the first complete turn of each winding of the #20 wire, and fiberglass/PVC sleeving on the #10 wire. Two coils of 3100 turns each of #20 wire are wound on opposing sides (left and right), and 2 coils of 350 turns each of #10 wire on the other sides (top and bottom). Leave about 3 feet of wire at the start of each winding and also at the finish for lead wires. Use enough sleeving to make sure the lead wires are completely insulated where they come through the back end panel. Be sure to secure the finish leads of each coil so that they don't unravel during handling.

Outer Wrap Taping

Wrap a single layer of 1" white fiberglass tape tightly and securely around each coil making sure that all wire is covered and tape is butted up against the 4 pole pieces.

Generator Assembly Steps

Rotor / Shaft / Shroud Assembly

Drawings are provided for the shaft showing an optional spline operation that can be used to mount the rotor to the shaft, if desired. We used Loctite 648 industrial adhesive (with activator), which is effective with close fitting parts.

Drill a 7/8" center hole, and two 1/4" mounting holes into the shroud disks (mounting holes are lined up with the holes in the rotor). Slide one disk onto the shaft on each side of the rotor. Bolt both shrouds to the rotor using two 4" or 4-1/4" long 1/4" - 28 through-bolts and nuts. These bolts should not be any longer than necessary or a rotor imbalance can occur. Shrouds are used to quiet the windage noise generated by the spinning rotor.

Bearings

Mount bearings to the *inside* of the front and rear end plates. Center each bearing on the 2.450" hole in the center of the plate. Drill the holes oversize for the mounting bolts. This is done to provide adjustability in the position of the shaft at final assembly. The bearings will have to be moved slightly to center the rotor in the bore of the generator. The gap between rotor and stator is very small (.010") and the rotor will need to be positioned so it does not rub on the stator bore. Only tighten finger tight at this time.

We opted to bring the leads from the coils out directly through holes drilled in the rear end plate. You may decide to bring the leads out a different way. Here are the steps for our method:

- 1) Insert all 8 bolts into the rear end plate, then lay the plate down on a flat work surface with the bolts pointing up. The work surface should have a hole under the center hole in the end plate to provide clearance when the rotor is inserted. About 1 ½ inches of clearance is needed below the plate.
- 2) With an assistant or two, place the fully processed core (about 90 lbs.) down onto the bolts. Slide the core all the way down into contact with the end plate.
- 3) Insert the short end of the rotor / shaft / shroud assembly through the stator bore and into the rear bearing. Let the rotor assembly drop gently to the bottom and place the front end plate with bearing over the bolts and shaft end. Tap into place with rubber mallet if necessary. Once plate is in contact with stator assembly, install washers and nuts and tighten securely.
- 4) With assistance, place the assembly upright onto the raised portion of the base. We used 5 lag bolts across the bottom of the end plates on each side to mount the assembly to the wood base / frame. Other methods could be employed.
- 5) Mount the drive motor to the base / frame. We mounted the shaft end of the motor onto the aluminum angle on the front of the base with one bolt to provide adjustability for belt tightening. We built a sliding mount for the rear of the motor using sheet metal parts, but sliding motor bases are commercially available that provide adjustability for proper belt tensioning.
- 6) When the motor is mounted to the base, install 3” pulley on motor shaft using set screws.
- 7) At this point the rotor position should be adjusted so that it spins freely inside the core without rubbing. This is where you may need to adjust the bearing positions repeatedly until the rotor spins freely. (The gap between the rotor and stator is .010” making this step a little delicate.) However, once the rotor is tightened in position it does not tend to move. Place the 2 ½” pulley on the generator shaft at this time; it can be used to turn the rotor by hand while adjusting its position.
- 8) Place the V-belt over both pulleys and position pulleys as close to the motor and the generator as possible. Both pulleys should be positioned an equal distance from the faces of the motor and generator to assure that the belt runs true.
- 9) The variac can be mounted on the base at this time. We used two 1/4 – 20 x 1” bolts with nuts to mount the variac to the aluminum angle. After all the components are mounted on the base, wiring and testing will be performed using the variac. (After set-up and testing is completed, the variac can be replaced with the electronic motor control circuit board for less bulk and weight. The console box in the parts list can be used as an enclosure / control panel for the motor speed control board, and for mounting the DPDT start / run switch.)
- 10) With all components mounted on the base, wiring can begin. Please follow the schematic to make connections. We mounted a 4” x 4” electrical box on the base to support a large (50 Amp) receptacle to bring the power out of the generator.

Wiring Notes: The generator output can be wired in series (220, 230-240V), or parallel (110, 115, 120V). For the series connection shown on the schematic, the start leads from each coil are connected

together. This connection provides the highest voltage output from the windings. If using a parallel connection for lower voltage / higher current, be careful to connect the four leads with polarity opposed (start lead of one coil connected to finish lead of other coil).

The variac we used can be wired for 120 or 240 volt input, and provides 0-280 volts output, at up to 9.5 amps. This is a versatile variac and can be used with either a 120 or 240 volt system. The output of the variac is connected to a 600 volt, 25 Amp full-wave bridge rectifier to power the variable speed DC drive motor.

Set-up and testing

Starting with the wiring setup as shown in the schematic, disconnect the primary coils from the series capacitor string on one end (disconnect capacitors). This will prevent resonance momentarily.

Connect input power to the variac. We started with a full 240 volt series wired system, but parallel 120 volt wiring can also be used.

Test mechanical assembly by spinning up the motor / rotor / belt and observing operation. Adjust variac voltage from zero to about $\frac{3}{4}$ through its range. The active rpm range is under 2500 rpm, so we don't need to spin very fast. Assure there is no stack rub (rotor scrubbing on stator), or other mechanical issues that need to be corrected for smooth operation.

When proper mechanical operation is assured, re-connect the series capacitor bank. The initial configuration of 12 (twelve) 2.5 uF, 2000 volt capacitors gives us .208uF, that will withstand up to 24,000 volts. This initial value should be in the range to produce resonance.

As the machine spins up to resonance, the sound will change, and the rotor speed will lock into the resonant frequency. At this point any further increase of the motor speed control will change the speed only slightly, but the additional mechanical power (horsepower) will drive the core deeper into resonance, thereby increasing the power output. With a single control, the voltage and current (power) can be increased or decreased.

As previously mentioned, the exciter coil is used to provide a conduction path through the quantum field (zero point) into the generator core. This has the effect of polarizing the core, which increases power output over time. After the QEG is first built, the spark gap on the exciter coil should be adjusted (with power off) to between .005" and .010". Start the generator and let it spark for 2-3 seconds, and repeat this 4 or 5 times. Do this whenever starting the generator for the first few weeks of operation.



BEARINGS



SHROUDS



CAPACITORS



WOUND CORE



ACRYLIC TUBING & PLATE



MICA TAPING



MOTOR



EXCITER COIL



ASSEMBLY MARKS



MICA PLATING TOP



MICA PLATING BOTTOM



FIBERGLASS SLEEVING



MOTOR CONTROL BOX

ASSEMBLY MARKS



SHAFT



ROTOR & SHAFT



CAPACITORS



VARIAC



FULLY WRAPPED CORE



END PANEL FRONT



END PANEL REAR



OUTER WRAP



TOROIDAL WINDER



STATOR



ELECTRICAL BOX



END PLATES



WOOD FRAME



WRAPPED CORE/END PLATES



STATOR/ROTOR/SHAFT



WIRED CORE



WOOD FRAME



MOTOR CONTROLLER



20 GAUGE MAGNET WIRE



10 GAUGE MAGNET WIRE



SPACER BLOCKS

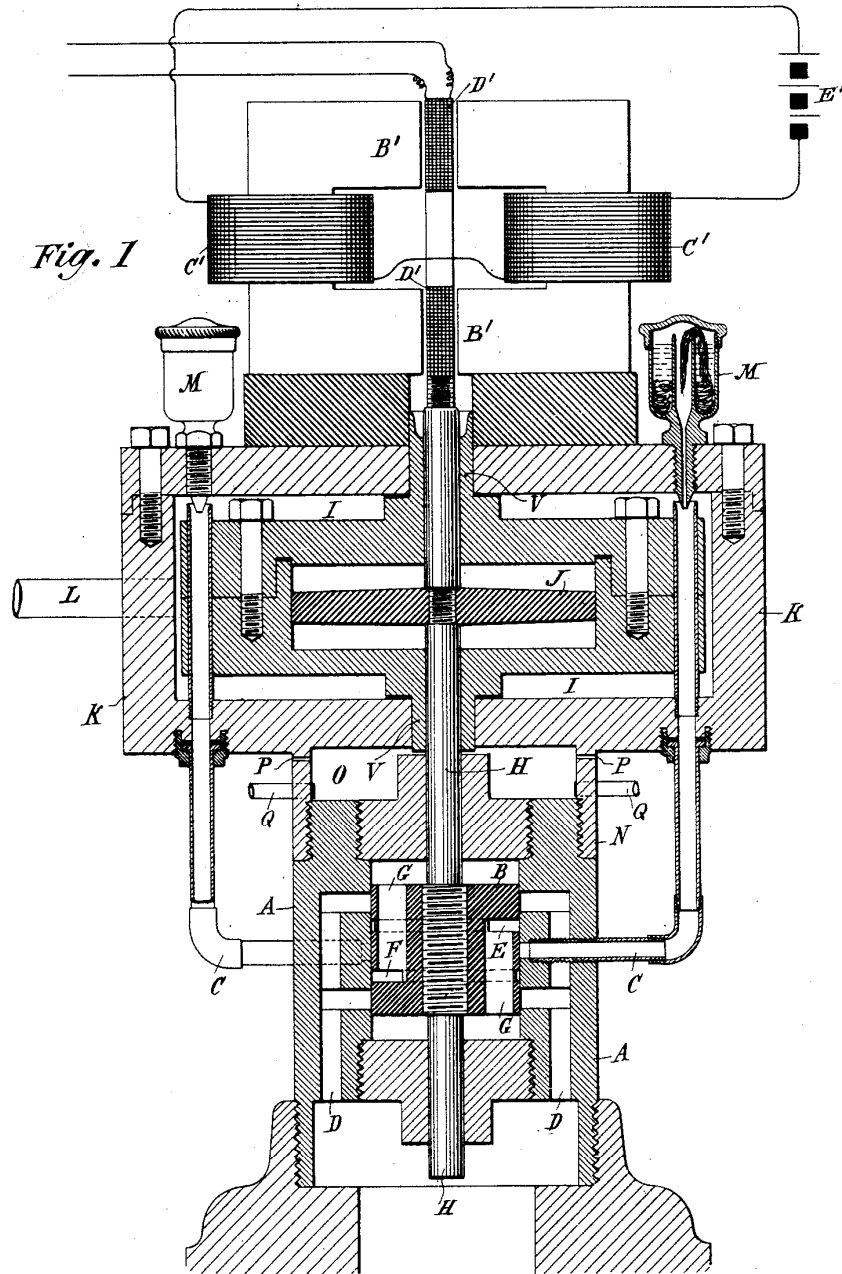
(No Model.)

2 Sheets—Sheet 1.

N. TESLA.
ELECTRIC GENERATOR.

No. 511,916.

Patented Jan. 2, 1894.



Witnesses
Raphael Netter
R. F. Gaylord

Inventor
Nikola Tesla
 By his Attorneys
Duncan & Page

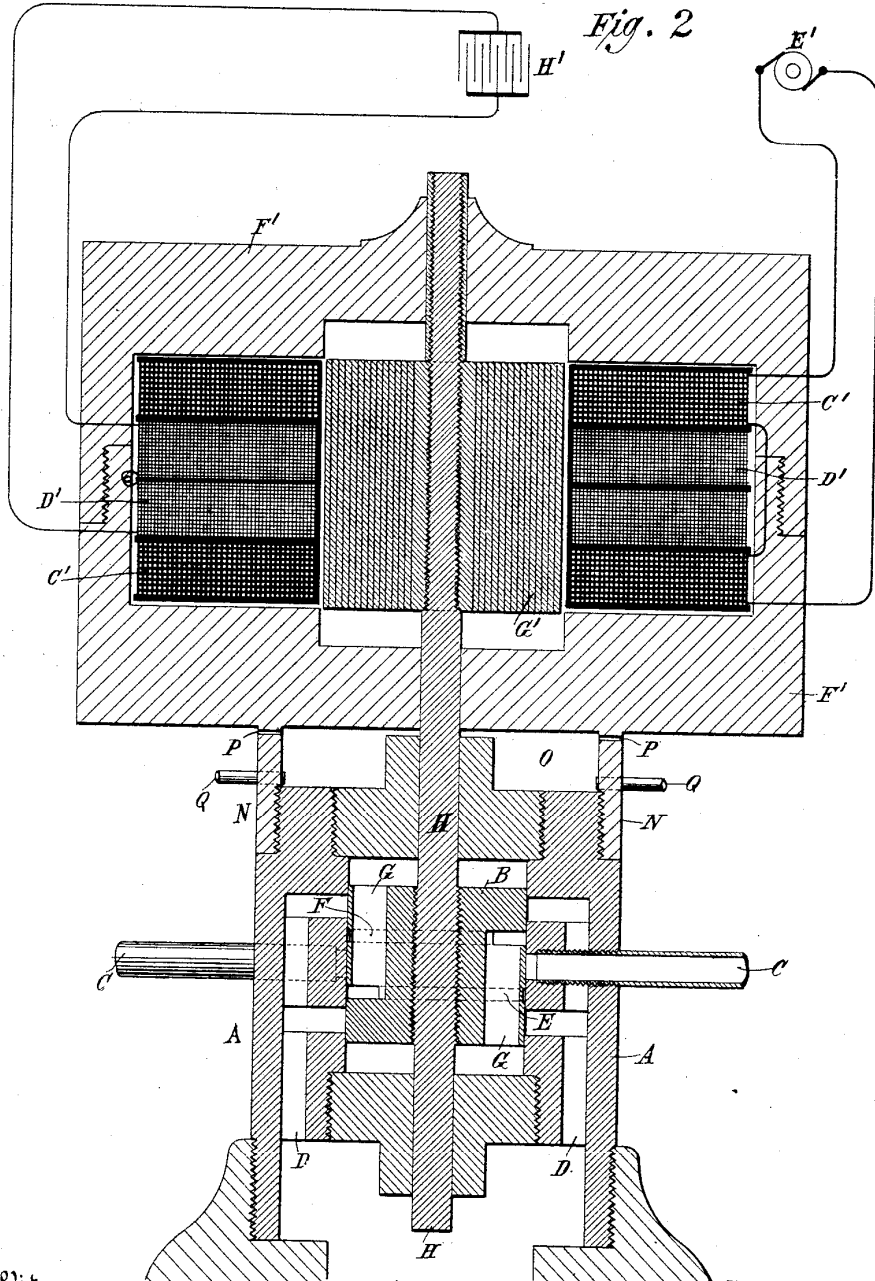
(No Model.)

2 Sheets—Sheet 2.

N. TESLA.
ELECTRIC GENERATOR.

No. 511,916.

Patented Jan. 2, 1894.



Witnesses
Raphael Netter
R. F. Gaylord

Inventor
Nikola Tesla
 By his Attorneys
Duncan & Page.

UNITED STATES PATENT OFFICE.

NIKOLA TESLA, OF NEW YORK, N. Y.

ELECTRIC GENERATOR.

SPECIFICATION forming part of Letters Patent No. 511,916, dated January 2, 1894.

Application filed August 19, 1893. Serial No. 483,562. (No model.)

To all whom it may concern:

Be it known that I, NIKOLA TESLA, a citizen of the United States, residing at New York, in the county and State of New York, have invented certain new and useful Improvements in Electric Generators, of which the following is a specification, reference being had to the drawings accompanying and forming a part of the same.

In an application of even date herewith, Serial No. 483,563, I have shown and described a form of engine invented by me, which, under the influence of an applied force such as the elastic tension of steam or a gas under pressure, yields an oscillation of constant period.

In order that my present invention may be more readily understood I will explain the conditions which are to be observed in order to secure this result.

It is a well known mechanical principle that if a spring possessing a sensible inertia be brought under tension, as by being stretched, and then freed, it will perform vibrations which are isochronous, and as to period, in the main, dependent upon the rigidity of the spring, and its own inertia or that of the system of which it may form an immediate part. This is known to be true in all cases where the force which tends to bring the spring or movable system into a given position is proportionate to the displacement.

In the construction of my engine above referred to I have followed and applied this principle, that is to say, I employ a cylinder and a piston which in any suitable manner I maintain in reciprocation by steam or gas under pressure. To the moving piston or to the cylinder, in case the latter reciprocate and the piston remain stationary, a spring is connected so as to be maintained in vibration thereby, and whatever may be the inertia of the piston or of the moving system and the rigidity of the spring relatively to each other, provided, the practical limits within which the law holds true that the forces which tend to bring the moving system to a given position are proportionate to the displacement, are not exceeded, the impulses of the power impelled piston and the natural vibrations of the spring will always correspond in direction and coincide in time. In the case of the engine referred

to, the ports are so arranged that the movement of the piston within the cylinder in either direction ceases when the force tending to impel it and the momentum which it has acquired are counterbalanced by the increasing pressure of the steam or compressed air in that end of the cylinder toward which it is moving, and as in its movement the piston has shut off at a given point, the pressure that impelled it and established the pressure that tends to return it, it is then impelled in the opposite direction, and this action is continued as long as the requisite pressure is applied. The length of the stroke will vary with the pressure, but the rate or period of reciprocation is no more dependent upon the pressure applied to drive the piston, than would be the period of oscillation of a pendulum permanently maintained in vibration, upon the force which periodically impels it, the effect of variations in such force being merely to produce corresponding variations in the length of stroke or amplitude of vibration respectively.

In practice I have found that the best results are secured by the employment of an air spring, that is, a body of confined air or gas which is compressed and rarefied by the movements of the piston, and in order to secure a spring of constant rigidity I prefer to employ a separate chamber or cylinder containing air at the normal atmospheric pressure, although it might be at any other pressure, and in which works a plunger connected with or carried by the piston rod. The main reason why no engine heretofore has been capable of producing results of this nature is that it has been customary to connect with the reciprocating parts a heavy fly-wheel or some equivalent rotary system of relatively very great inertia, or in other cases where no rotary system was employed, as in certain reciprocating engines or tools, no regard has been paid to the obtainment of the conditions essential to the end which I have in view, nor would the pressure of such conditions in said devices appear to result in any special advantage.

Such an engine as I have described affords a means for accomplishing a result heretofore unattained, the continued production of electric currents of constant period, by imparting the movements of the piston to a core or

coil in a magnetic field. It should be stated however, that in applying the engine for this purpose certain conditions are encountered which should be taken into consideration in order to satisfactorily secure the desired result. When a conductor is moved in a magnetic field and a current caused to circulate therein, the electro-magnetic reaction between it and the field, might disturb the mechanical oscillation to such an extent as to throw it out of isochronism. This, for instance, might occur when the electro-magnetic reaction is very great in comparison to the power of the engine, and there is a retardation of the current so that the electro-magnetic reaction might have an effect similar to that which would result from a variation of the tension of the spring, but if the circuit of the generator be so adjusted that the phases of the electromotive force and current coincide in time, that is to say, when the current is not retarded, then the generator driven by the engine acts merely as a frictional resistance and will not, as a rule, alter the period of the mechanical vibration, although it may vary its amplitude. This condition may be readily secured by properly proportioning the self induction and capacity of the circuit including the generator. I have, however, observed the further fact in connection with the use of such engines as a means for running a generator, that it is advantageous that the period of the engine and the natural period of electrical vibration of the generator should be the same, as in such case the best conditions for electrical resonance are established and the possibility of disturbing the period of mechanical vibrations is reduced to a minimum. I have found that even if the theoretical conditions necessary for maintaining a constant period in the engine itself are not exactly maintained, still the engine and generator combined will vibrate at a constant period. For example, if instead of using in the engine an independent cylinder and plunger, as an air spring of practically constant rigidity, I cause the piston to impinge upon air cushions at the ends of its own cylinder, although the rigidity of such cushions or springs might be considerably affected and varied by the variations of pressure within the cylinder, still by combining with such an engine a generator which has a period of its own approximately that of the engine, constant vibration may be maintained even through a considerable range of varying pressure, owing to the controlling action of the electro-magnetic system. I have even found that under certain conditions the influence of the electro-magnetic system may be made so great as to entirely control the period of the mechanical vibration within wide limits of varying pressure. This is likely to occur in those instances where the power of the engine while fully capable of maintaining a vibration once started, is not sufficient to change its rate. So, for the sake of illustration, if a pendulum is started in vibration,

and a small force applied periodically in the proper direction to maintain it in motion, this force would have no substantial control over the period of the oscillation, unless the inertia of the pendulum be small in comparison to the impelling force, and this would be true no matter through what fraction of the period the force may be applied. In the case under consideration the engine is merely an agent for maintaining the vibration once started, although it will be understood that this does not preclude the performance of useful work which would simply result in a shortening of the stroke. My invention, therefore, involves the combination of a piston free to reciprocate under the influence of steam or a gas under pressure and the movable element of an electric generator which is in direct mechanical connection with the piston, and it is more especially the object of my invention to secure from such combination electric currents of a constant period. In the attainment of this object I have found it preferable to construct the engine so that it of itself controls the period, but as I have stated before, I may so modify the elements of the combination that the electro-magnetic system may exert a partial or even complete control of the period.

In illustration of the manner in which the invention is carried out I now refer to the accompanying drawings.

Figure 1 is a central sectional view of an engine and generator embodying the invention. Fig. 2 is a modification of the same.

Referring to Fig. 1 A is the main cylinder in which works a piston B. Inlet ports C C pass through the sides of the cylinder opening at the middle portion thereof and on opposite sides. Exhaust ports D D extend through the walls of the cylinder and are formed with branches that open into the interior of the cylinder on each side of the inlet ports and on opposite sides of the cylinder. The piston B is formed with two circumferential grooves E F which communicate through openings G in the piston with the cylinder on opposite sides of said piston respectively.

The particular construction of the cylinder, the piston and the ports controlling it may be very much varied, and is not in itself material, except that in the special case now under consideration it is desirable that all the ports, and more especially the exhaust ports should be made very much larger than is usually the case so that no force due to the action of the steam or compressed air will tend to retard or affect the return of the piston in either direction. The piston B is secured to a piston rod H which works in suitable stuffing boxes in the heads of the cylinder A. This rod is prolonged on one side and extends through bearings V in a cylinder I suitably mounted or supported in line with the first, and within which is a disk or plunger J carried by the rod H. The cylinder I is without ports of any kind and is air-tight except as a

small leakage may occur through the bearings V, which experience has shown need not be fitted with any very considerable accuracy. The cylinder I is surrounded by a jacket K which leaves an open space or chamber around it. The bearings V in the cylinder I, extend through the jacket K to the outside air and the chamber between the cylinder and jacket is made steam or air-tight as by a suitable packing. The main supply pipe L for steam or compressed air leads into this chamber, and the two pipes that lead to the cylinder A run from the said chamber, oil cups M being conveniently arranged to deliver oil into the said pipes for lubricating the piston. In the particular form of engine shown, the jacket K which contains the cylinder I is provided with a flange N by which it is screwed to the end of the cylinder A. A small chamber O is thus formed which has air vents P in its sides and drip pipes Q leading out from it through which the oil which collects in it is carried off.

To explain now the operation of the engine described, in the position of the parts shown, or when the piston is at the middle point of its stroke, the plunger J is at the center of the cylinder I and the air on both sides of the same is at the normal pressure of the outside atmosphere. If a source of steam or compressed air be then connected to the inlet ports C C of the cylinder A and a movement be imparted to the piston as by a sudden blow, the latter is caused to reciprocate in a manner well understood. The movements of the piston compress and rarefy the air in the cylinder I at opposite ends of the same alternately. A forward stroke compresses the air ahead of the plunger J which acts as a spring to return it. Similarly on the back stroke the air is compressed on the opposite side of the plunger J and tends to drive it forward. The compressions of the air in the cylinder I and the consequent loss of energy due mainly to the imperfect elasticity of the air, give rise to a very considerable amount of heat. This heat I utilize by conducting the steam or compressed air to the engine cylinder through the chamber formed by the jacket surrounding the air-spring cylinder. The heat thus taken up and used to raise the temperature of the steam or air acting upon the piston is availed of to increase the efficiency of the engine. In any given engine of this kind the normal pressure will produce a stroke of determined length, and this will be increased or diminished according to the increase of pressure above or the reduction of pressure below the normal.

In constructing the apparatus proper allowance is made for a variation in the length of stroke by giving to the confining cylinder I of the air spring properly determined dimensions. The greater the pressure upon the piston, the higher the degree of compression of the air-spring, and the consequent counteracting force upon the plunger. The rate

or period of reciprocation of the piston, however, is mainly determined as described above by the rigidity of the air spring and the inertia of the moving system, and any period of oscillation within very wide limits may be secured by properly portioning these factors, as by varying the dimensions of the air chamber which is equivalent to varying the rigidity of the spring, or by adjusting the weight of the moving parts. These conditions are all readily determinable, and an engine constructed as herein described may be made to follow the principle of operation above stated and maintain a perfectly uniform period through very wide limits of pressure.

The pressure of the air confined in the cylinder when the plunger I is in its central position will always be practically that of the surrounding atmosphere, for while the cylinder is so constructed as not to permit such sudden escape of air as to sensibly impair or modify the action of the air spring there will still be a slow leakage of air into or out of it around the piston rod according to the pressure therein, so that the pressure of the air on opposite sides of the plunger will always tend to remain at that of the outside atmosphere.

To the piston rod H is secured a conductor or coil of wire D' which by the movements of the piston is oscillated in the magnetic field produced by two magnets B' B' which may be permanent magnets or energized by coils C' C' connected with a source of continuous currents E'. The movement of the coil D' across the lines of force established by the magnets gives rise to alternating currents in the coil. These currents, if the period of mechanical oscillation be constant will be of constant period, and may be utilized for any purpose desired.

In the case under consideration it is assumed as a necessary condition that the inertia of the movable element of the generator and the electro-magnetic reaction which it exerts will not be of such character as to materially disturb the action of the engine.

Fig. 2 is an example of a combination in which the engine is not of itself capable of determining entirely the period of oscillation, but in which the generator contributes to this end. In this figure the engine is the same as in Fig. 1. The exterior air spring is however omitted and the air spaces at the ends of the cylinder A relied on for accomplishing the same purpose. As the pressure in these spaces is liable to variations from variations in the steam or gas used in impelling the piston they might affect the period of oscillation, and the conditions are not as stable and certain as in the case of an engine constructed as in Fig. 1. But if the natural period of vibration of the elastic system be made to approximately accord with the average period of the engine such tendencies to variation are very largely overcome and the engine will preserve its period even through a considerable range of variations of pressure. The

generator in this case is composed of a magnetic casing F' in which a laminated core G' secured to the piston rod H is caused to vibrate. Surrounding the plunger are two exciting coils C' C', and one or more induced coils D' D'. The coils C' C' are connected with a generator of continuous currents E' and are wound to produce consequent poles in the core G'. Any movement of the latter will therefore shift the lines of force through coils D' D' and produce currents therein.

In the circuit of coils D' is shown a condenser H'. It need only be said that by the use of a proper condenser the self induction of this circuit may be neutralized. Such a circuit will have a certain natural period of vibration, that is to say that when the electricity therein is disturbed in any way an electrical or electro-magnetic vibration of a certain period takes place, and as this depends upon the capacity and self induction, such period may be varied to approximately accord with the period of the engine.

In case the power of the engine be comparatively small, as when the pressure is applied through a very small fraction of the total stroke, the electrical vibration will tend to control the period, and it is clear that if the character of such vibration be not very widely different from the average period of vibration of the engine under ordinary working conditions such control may be entirely adequate to produce the desired results.

Having now described my invention, what I claim is—

1. The combination with the piston or equivalent element of an engine which is free to reciprocate under the action thereon of steam or a gas under pressure, of the moving conductor or element of an electric generator in direct mechanical connection therewith.

2. The combination with the piston or equivalent element of an engine which is free to reciprocate under the action of steam or a gas

under pressure, of the moving conductor or element of an electric generator in direct mechanical connection therewith, the engine and generator being adapted by their relative adjustment with respect to period to produce currents of constant period, as set forth.

3. The combination with an engine comprising a piston which is free to reciprocate under the action of steam or a gas under pressure, and an electric generator having inducing and induced elements one of which is capable of oscillation in the field of force, the said movable element being carried by the piston rod of the engine, as set forth.

4. The combination with an engine operated by steam or a gas under pressure and having a constant period of reciprocation, of an electric generator, the moving element of which is carried by the reciprocating part of the engine, the generator and its circuit being so related to the engine with respect to the period of electrical vibration as not to disturb the period of the engine, as set forth.

5. The combination with a cylinder and a piston reciprocated by steam or a gas under pressure of a spring maintained in vibration by the movement of the piston, and an electric generator, the movable conductor or element of which is connected with the piston, these elements being constructed and adapted in the manner set forth for producing a current of constant period.

6. The method of producing electric currents of constant period herein described which consists in imparting the oscillations of an engine to the moving element of an electric generator and regulating the period of mechanical oscillation by an adjustment of the reaction of the electric generator, as herein set forth.

NIKOLA TESLA.

Witnesses:

PARKER W. PAGE,
R. F. GAYLORD.

Fix the World – contacts provided:

30 August 2014

You can gain knowledge, connect with others who are building QEGs and keep updated here:

<http://be-do.com/index.php/en/forum>

<http://be-do.com/index.php/en/>

Torelco for fully processed QEG Cores and Exciter Coils

www.torelco.com

1-800-TORELCO

Toll Free: 1.800.867.3526 | Phone: 1.908.387.0814 | Fax: 1.908.387.0817

A Division of Hunterdon Transformer 55 Industrial Drive, Alpha, NJ 08865

info@torelco.com

Now offering QEG parts and kits, contact us at sales@teslaenergysolutionsllc.com and ask about Trainers Training Trainers Program. For more information contact us at info@teslaenergysolutionsllc.com

We can manufacture the complete coil for the [QEG Generator](#). Please call us for pricing and delivery.

Thanks again for stopping by.

Tesla Energy Solutions Team

<http://teslaenergysolutionsllc.com/>

Please go [HERE](#) for today's update (and other important updates).

Please go [HERE](#) for important articles.

<!--[if !supportLineBreakNewLine]-->

<!--[endif]-->

With love,

Angela (Angela Sanchez)

FTW Administrative Angel

Hope Moore fixtheworldproject@hotmail.com

Naima Feagin fixtheworldproject@hotmail.com

<http://be-do.com/index.php/en/>

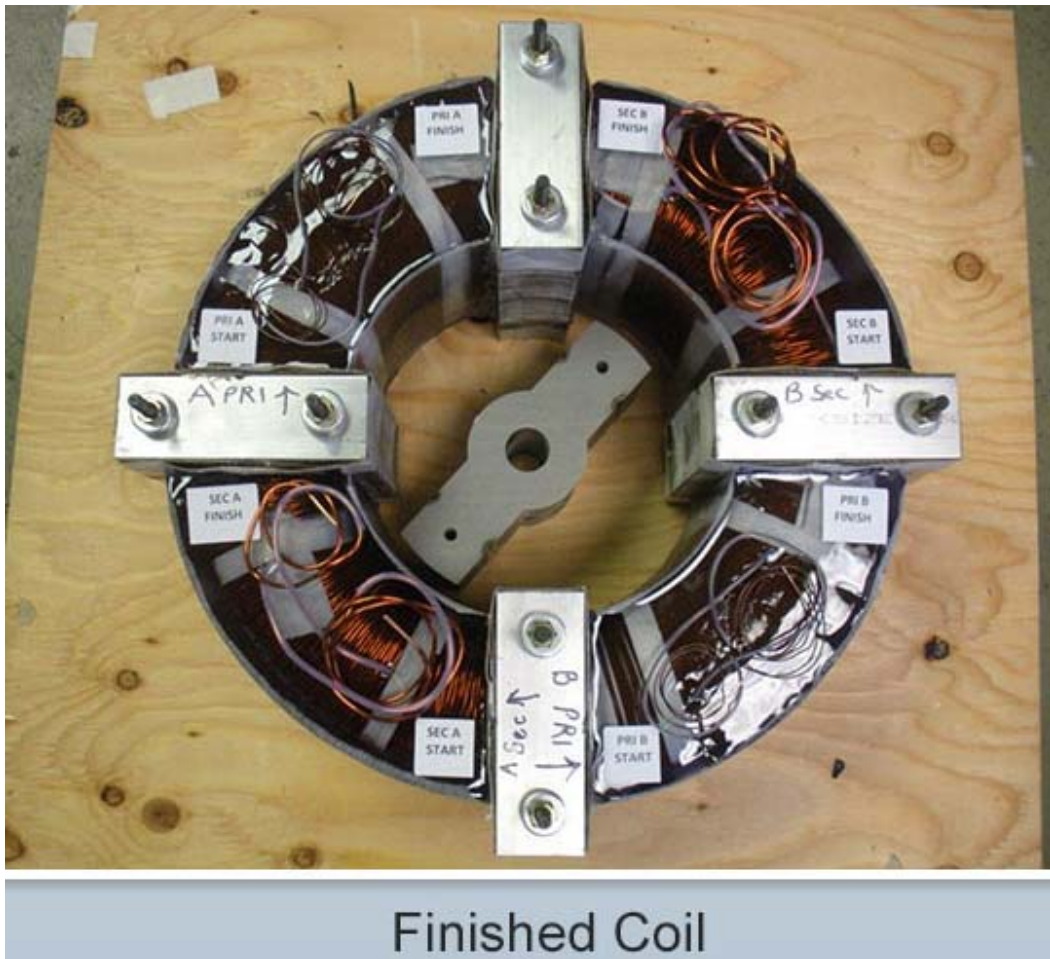
<http://www.fixtheworldproject.net>

<http://qeg-australia.com.au>

<http://qeg-australia.net.au>

Xavier Hamer

Witta 4552, Australia



Thank you for your patience in awaiting a reply on your inquiry of the QEG coil. Torelco is working with FTW (Fix the World) on best pricing available. Torelco will be offering a complete coil which includes core (including rotor), all insulation and copper windings.

One piece price US\$3,095.00 with delivery starting 5 weeks after receipt of order on first come basis. F.O.B. Alpha, NJ 08865

Also, in order to keep pricing down, we are requesting a minimum of 50% down at time of order and the balance at time of shipment. Other terms could be discussed at time of order.

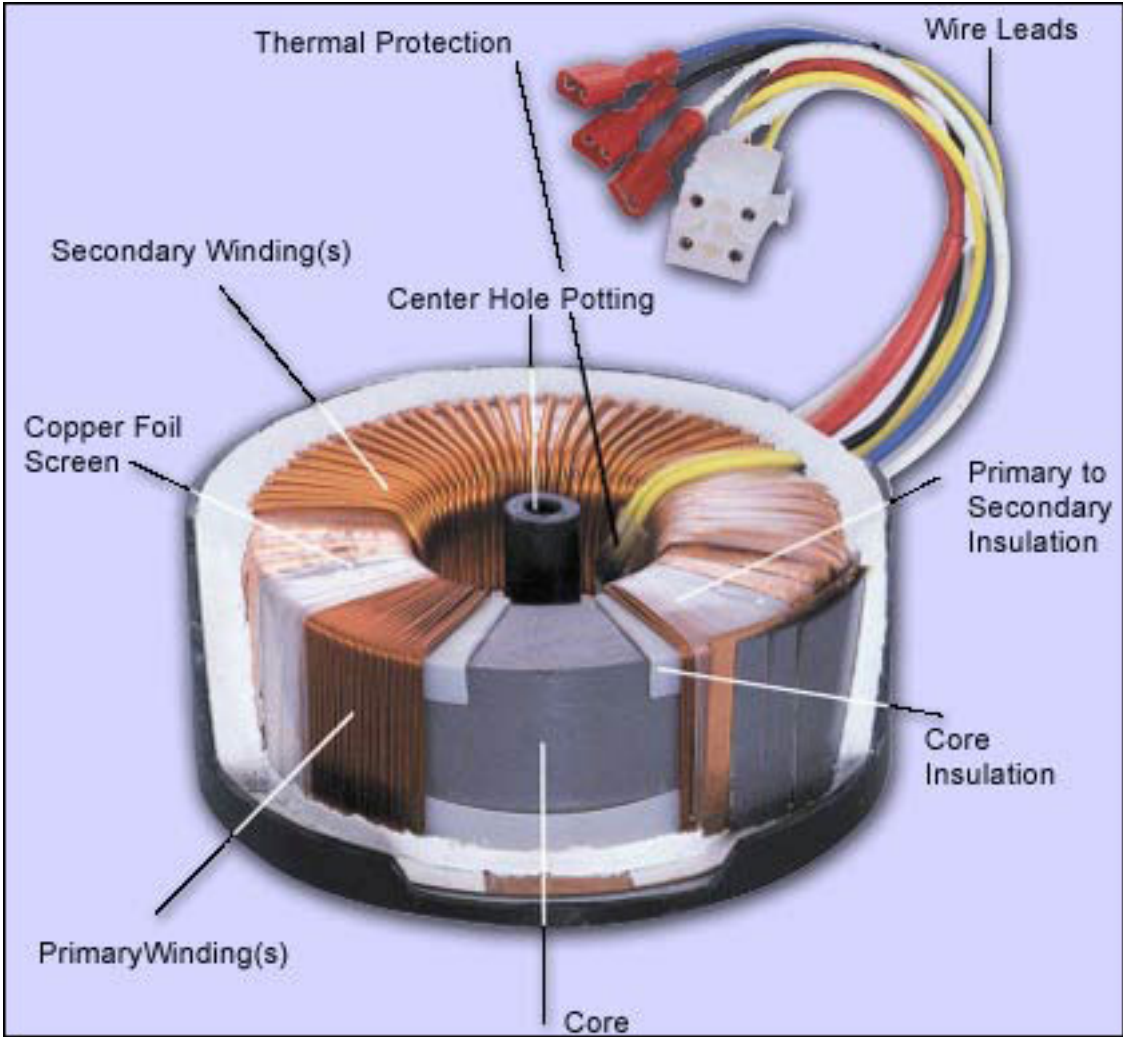
Please contact me at mpeterson@torelco.com and please include "QEG" in the subject line so we can expedite your order.

We will be updating our website with more information soon.
Thank you again for your interest in the QEG project.

<http://www.torelco.com/QEG-Generator.html>

The ultimate DCC Power Supply

<http://www.modelrailforum.com/forums/index.php?autocom=custom&page=DCC-pwr>

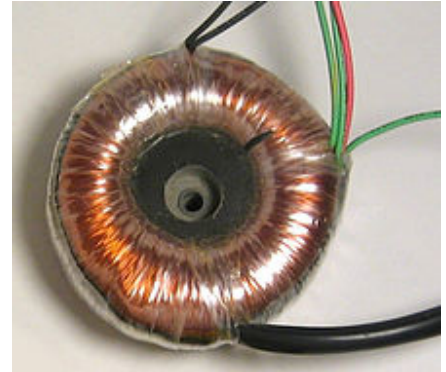


Toroidal cores

<http://en.wikipedia.org/wiki/Transformer>

Small toroidal core transformer

Toroidal transformers are built around a ring-shaped core, which, depending on operating frequency, is made from a long strip of [silicon steel](#) or [permalloy](#) wound into a coil, powdered iron, or [ferrite](#). A strip construction ensures that the [grain boundaries](#) are optimally aligned, improving the transformer's efficiency by reducing the core's [reluctance](#). The closed ring shape eliminates air gaps inherent in the construction of an E-I core. The cross-section of the ring is usually square or rectangular, but more expensive cores with circular cross-sections are also available. The primary and secondary coils are often wound concentrically to cover the entire surface of the core. This minimizes the length of wire needed, and also provides screening to minimize the core's magnetic field from generating [electromagnetic interference](#).



Toroidal transformers are more efficient than the cheaper laminated E-I types for a similar power level. Other advantages compared to E-I types, include smaller size (about half), lower weight (about half), less mechanical hum (making them superior in audio amplifiers), lower exterior magnetic field (about one tenth), low off-load losses (making them more efficient in standby circuits), single-bolt mounting, and greater choice of shapes. The main disadvantages are higher cost and limited power capacity (see [Classification parameters](#) below). Because of the lack of a residual gap in the magnetic path, toroidal transformers also tend to exhibit higher inrush current, compared to laminated E-I types.

Ferrite toroidal cores are used at higher frequencies, typically between a few tens of kilohertz to hundreds of megahertz, to reduce losses, physical size, and weight of inductive components. A drawback of toroidal transformer construction is the higher labor cost of winding. This is because it is necessary to pass the entire length of a coil winding through the core aperture each time a single turn is added to the coil. As a consequence, toroidal transformers rated more than a few kVA are uncommon. Small distribution transformers may achieve some of the benefits of a toroidal core by splitting it and forcing it open, then inserting a bobbin containing primary and secondary windings.

APPLICATION:

Eventually, the Quantum Energy Generator (QEG) will be developed into a solid state unit with no moving parts and then miniaturised. Some progress, in these directions, has previously been achieved.

In the meantime, application for a QEG is endless. The needs for power generation is universal, no more so than in the areas where more than 2 billion people are still without access to electricity and the many others who have access at unaffordable costs.

The time spent by villages carrying water to their homes can now be eliminated with QEG powered pumping units.

Power to enable access to community internet services can open up access to education programs of all kinds of descriptions. Progress of any nature is underpinned by education.

Schools that exist under trees can now be supplemented by education via the internet. Particular attention to the education of girls is paramount.

Health clinics can now be guaranteed a reliable and affordable power supply.

Reliable low cost power brings about freedom from oppression due to fluid communications and the capacity to research and achieve truth based understandings.

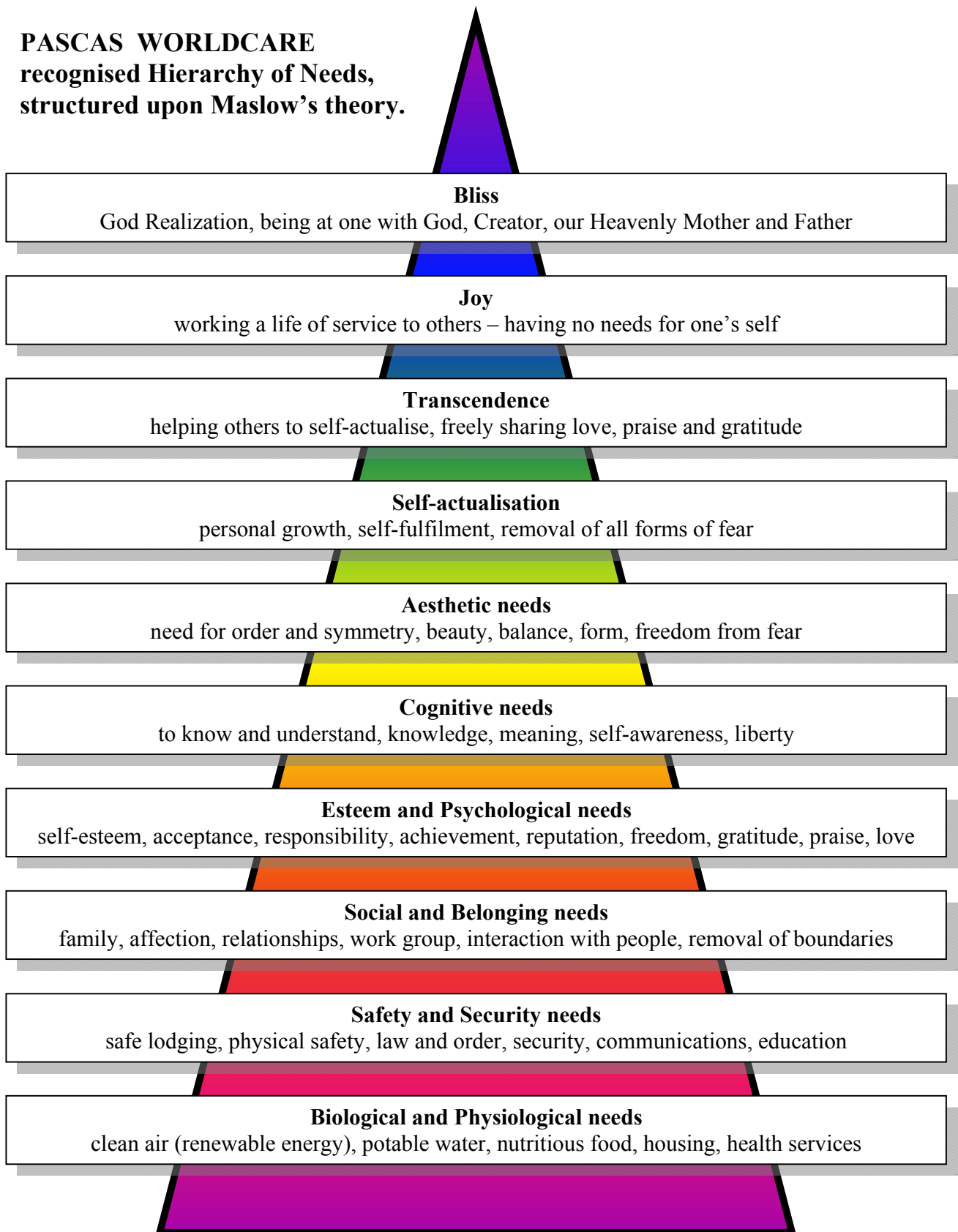
Quantum Energy Generators (QEG) can become the foundation for the development of freedoms throughout many, many communities throughout the world.

What is the energy challenge in developing countries?

- Over 1.4 billion people – 20% of the world's population – are still without access to electricity worldwide, almost all of whom live in developing countries. This includes about 550 million in Africa, and over 400 million in India. Access to electricity must be environmentally and socially sustainable.
- About 2.8 billion people use solid fuels—wood, charcoal, coal and dung—for cooking and heating. Every year fumes and smoke from open cooking fires kill approximately 1.5 million people mostly women and children, from emphysema and other respiratory diseases.

<http://web.worldbank.org/WBSITE/EXTERNAL/TOPICS/EXTENERGY2/0,,contentMDK:22855502~pagePK:210058~piPK:210062~theSitePK:4114200,00.html>

**PASCAS WORLDCARE
recognised Hierarchy of Needs,
structured upon Maslow's theory.**



QEG – Doesn't that violate the laws of physics?

We've been asked many times: "Does the QEG violate the laws of physics and why does my university instructor tell me this technology is impossible?" Here's our answer:

The QEG is an asymmetrical open system that operates according the laws of nature. It does not violate the laws of thermodynamics (physics) as these only apply to a closed symmetrical system. Asymmetrical open systems have been traditionally omitted from higher educational learning programs, so your university instructor does not know about them and assumes they don't exist.

MAXWELL, EDISON, JP MORGAN AND THE LAWS OF PHYSICS

James Clerk Maxwell FRS FRSE (1831–1879) was a Scottish mathematical physicist. His most prominent achievement was to formulate a set of equations that describe electricity, magnetism, and optics as manifestations of the same phenomenon, namely the electromagnetic field. His discoveries helped usher in the era of modern physics, laying the foundation for such fields as special relativity and quantum mechanics. In his ORIGINAL work: *The Dynamical Theory of the Electromagnetic Field*, Maxwell identified two separate systems, both of which were completely different from each other:

- 1) Asymmetrical system – an 'open' system that allows the creation of a series of exchange of energy reaction to our inputs, based on electromagnetic resonance or electromagnetic feedback in every spin (on a motor), or in every pulse of input in a static coil. One of the first asymmetrical motors was Faraday's 'Unipolar Motor,' later modified by Nikola Tesla. These systems generate their own energy and do not require fossil fuels.
- 2) Symmetrical system – a 'closed' system that cancels the electromagnetic resonance with every spin, which creates wasted energy in excessive heat and requires an additional energy source to run such as fossil fuels. These are the "symmetrical obsolete systems" we use every day in all of our electrical appliances.

One year after Maxwell's death in 1879, scientists Hendrick Lorentz financed by J.P. Morgan and Thomas Edison, mutilated Maxwell's original work and spent the next two decades deleting all knowledge of asymmetrical systems that would not require the profitable oil industry to operate. They 'symmetrized' all of Maxwell's equations, and labelled these incomplete theories as the "Laws of Physics". While the laws of physics do indeed apply to symmetrical closed systems of energy, there is another set of laws: The Laws of Nature, which apply to the asymmetrical systems that have been suppressed by the financial interests of the banking families for the last 130 years.

This knowledge was banned from our educational system, and no physics or electrical engineering school on our planet would ever teach about asymmetrical systems. Instead, the first and second laws of thermodynamics, which depend on the consumption of profitable fossil fuels, would conveniently prevail in our public knowledge base.

THE FLIGHT OF THE BUMBLEBEE AND THE LAWS OF NATURE

The laws of physics tell us that perpetual motion is not possible, yet how does the Earth rotate? The laws of aerodynamics tell us that bumblebees are incapable of flight, yet how do they fly?

Conventional scientists from all over the world will make statements such as: “The claim that this is going to run permanently or indefinitely doesn't seem to hold because the second law of thermodynamics tells us that this is not possible”

Around the turn-of-the-century eminent British scientist Lord Kelvin said “Radio has no future, heavier-than-air flying machines are impossible, and x-rays are a hoax” – so much for conventional science.

The laws of nature contain concepts that focus on frequency, resonance, vibration, magnetics and energy. A perfect example of this can be found in the aerodynamics-law-breaking flight of the bumblebee.

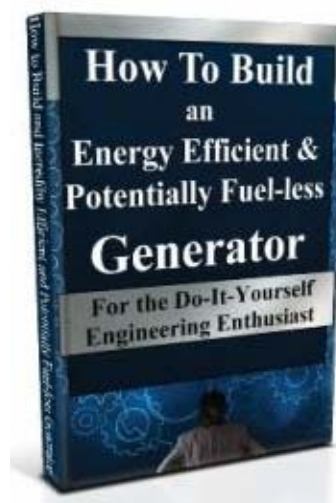
Ralph Ring is an innovative technician who worked with Otis T. Carr, a direct apprentice of Nikola Tesla. In his presentation at the Breakthrough Energy Movement Conference, Mr. Ring gives an amazing explanation of the flight of the bumblebee:

“Next to the larynx in the bumblebees throat, there is a tiny hollow tube that acts as a resonance cavity that accumulates frequency. When the bee starts beating its wings, it does this to accumulate frequency which bounces back and forth in the resonator cavity until it reaches the same frequency of the Earth, known as the Schumann frequency. Once the bee reaches the same frequency as its surroundings it evens out into what is known as zero point. When anything reaches zero point you can then change the energy. The bee is now free from the gravitational influence around it, creates its own little magnetic bubble and hovers around. There are some lizards and hummingbirds that do the same thing.”

This is how the laws of nature work. When you can tune something to vibrate at the same frequency as the Earth and reach zero point, you are freed from the frequency influence of your environment and can then change the energy into anything you want including levitation or electrical energy.

This is how the QEG works: Teslas design causes it to resonate so that it matches the frequency of the Earth, and in zero point it changes the energy into self-renewing electrical energy.

23 Green Street
Salem MA 01970
USA



**Learn How
to Build a
QEG eBook**

How to Build an Energy Efficient and Potentially Fuel-less Generator

[QEG-ebook](#)

<http://store.payloadz.com/details/2258920-ebooks-home-and-garden-how-to-build-an-energy-efficient-potentially-fuel-less-generator.html>

A 10-week beginner's course on building an efficient switched reluctance generator was taught online, and is now available for the first time in an ebook! Description: Two years of clean energy research has led to the open source (PATENT FREE!) development of this generator. Designed and backed by 50 years of combined engineering experience, you will be inspired to arrive at an understanding of reluctance generators and how to build one, as this ebook has bridged the gap for the layman and engineer.

We call this Generator the QEG and it's an adaptation of one of Nikola Tesla's many patented electrical generator/dynamo/alternator designs scaled to produce electrical power in the range of 10-15 KW (kilowatts) continuously, and which can be set up to provide either 120 Volt or 230-240 Volt single phase output.

The original intent of the patent is further expanded through subsequent utilization and application of mechanical self-resonance and radiant energy, in order to make the machine self-sustaining.

The QEG is not a complicated device, as it is designed to work in harmony with nature's laws, rather than the power wasting closed-system symmetric motor and generator designs used in today's mainstream industry.

Topics covered in ebook include:

- Explanation of power generation
- Parts & Specs
- Insulation Components
- Suggested Tools & Equipment
- Assembly
- Mechanical & Electrical Setup
- The Drive System
- Exciter Coil
- Safety Interactions
- Experiments
- Radiant Energy
- Schematics & Drawings
- Global C0-Development

PLUS a full, professional CAD drawing package!

Click to look inside:

Table of Contents: <https://www.youtube.com/watch?v=Ogo-m8YHK5I>

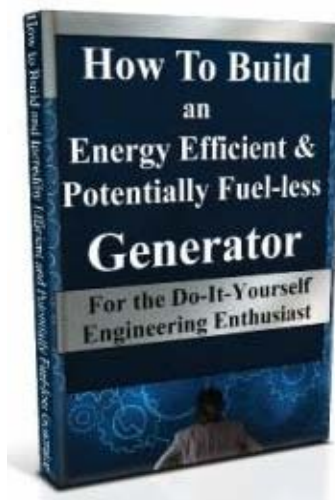
Chapter 4: Core Mounting & Drive System <https://youtu.be/ncQtu9lp-F0>

Here's why you need this ebook:

If you're an engineer, or even just someone who is interested in experimenting with electricity and motors, this book makes these unique building concepts obtainable for the average engineering enthusiast. You don't have to be a rocket scientist to build this generator. However, building can be very challenging and you'll want to make sure you are fully equipped with as much information as possible. Instructions like the ones found in this book are rare, hard to find and usually missing important information needed for building. This book is packed with everything you'll need, so that you can build with confidence. Plus, the free bonus of our beginners build class sample will introduce you to a further series of video step by step instructions, should you desire a more personable learning experience.

For a Limited Time Only! If you order now, receive [Class 9 and supporting documentation](#) FREE (a 40\$ value) when you purchase this ebook.

Direct Link: <http://store.payloadz.com/go/?id=2258920>



**Learn How
to Build a
QEG eBook**